

1-PC Hexagonal Reduced Port Ball Valve Screwed End



BAR STOCK

A1-MINI SIZE: 1/4" ~ 1"



STAINLESS STEEL
 AISI-316 (DIN 1.4408) (ASTM-A351-CF8M)
 AISI-304 (DIN 1.4308) (ASTM-A351-CF8)

FEATURES:

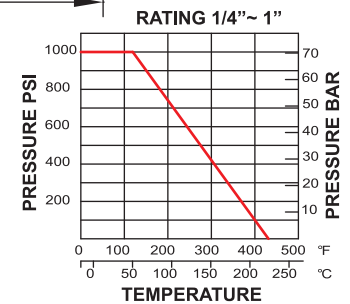
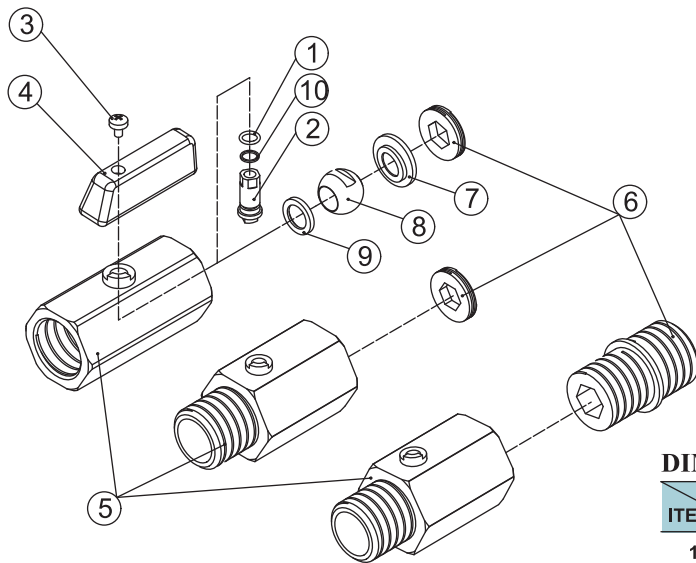
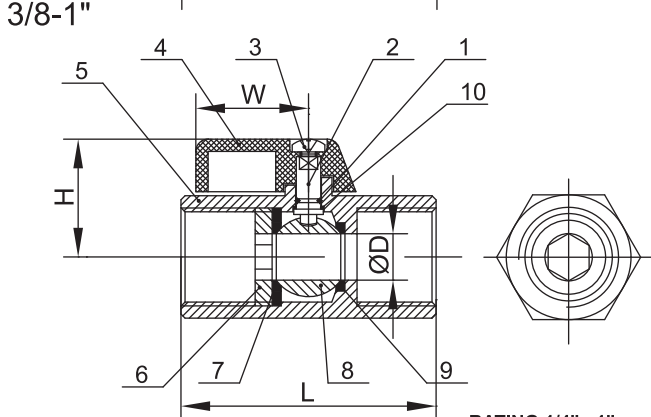
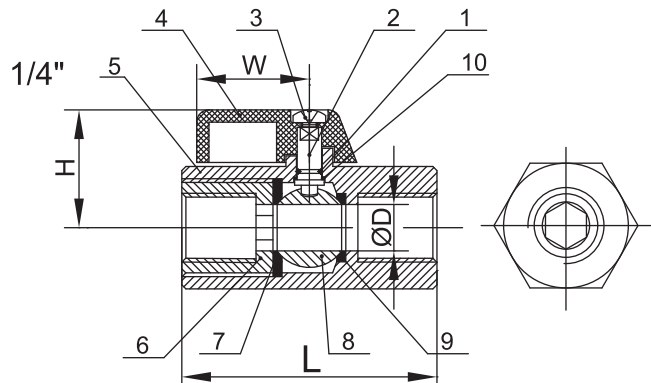
- *Pipe thread in accordance with ANSI B2.1, BS 21:1973, DIN 259/2999, ISO 228
- *Pressure rating: 1000 PSI (63 BAR)
- *Blow-out proof stem
- *Reduced port

OPTION:

*Screwed end: Female x Female / Female x Male / Male x Male

MATERIALS LIST

ITEM	PARTS	QTY	MATERIALS
1	O-RING	1	VITON
2	STEM	1	304
3	BOLT	1	304
4	LEVER	1	ALUMINUMALLOY
5	BODY	1	CF8M / CF8
6	CAP	1	CF8M / CF8
7	BALL SEAT(A)	1	15% R-PTFE
8	BALL	1	CF8M / CF8
9	BALL SEAT(B)	1	15% R-PTFE
10	THRUST WASHER	1	PTFE



DIMENSIONS

ITEM	SIZE	ØD			L			H	W	TORQUE N.M	KGS		
		FxF	FxM	MxM	FxF	FxM	MxM				FxF	FxM	MxM
	1/4"	8	8	7	40	39	50	26.5	22.8	3-4	0.091	0.075	-
	3/8"	8	8	7	41	41	50	26.5	22.8	3-4	0.085	-	-
	1/2"	9.2	9.2	9.2	46	46	58	28.3	22.8	4-5	0.12	0.116	-
	3/4"	12.5	12.5	12.5	55	55	70	31.5	22.8	6-8	-	-	-
	1"	15	15	15	65	65	83	34	22.8	8-10	-	0.195	-