

HIGH PRESSURE (2000 PSI)

A1 SIZE: 1/4" ~ 2"



STAINLESS STEEL
 AISI-316 (DIN 1.4408) (ASTM-A351-CF8M)
CARBON STEEL
 AISI-1015 (ASTM-A108) / AISI-1020

FEATURES:

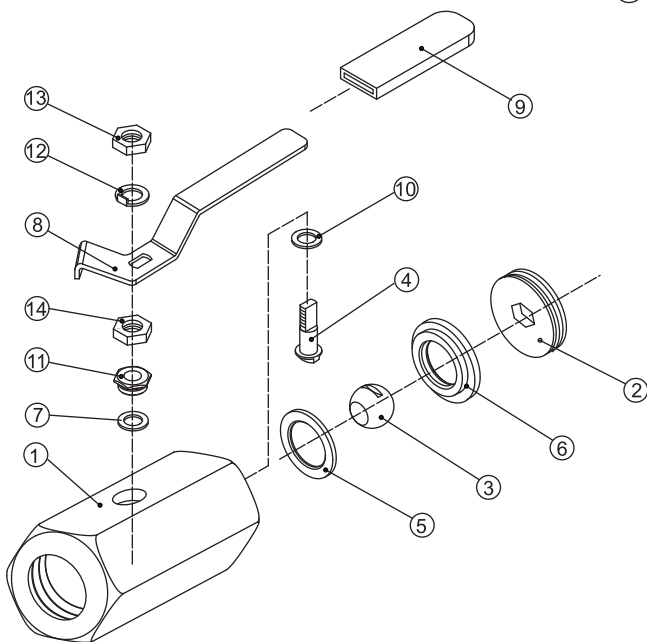
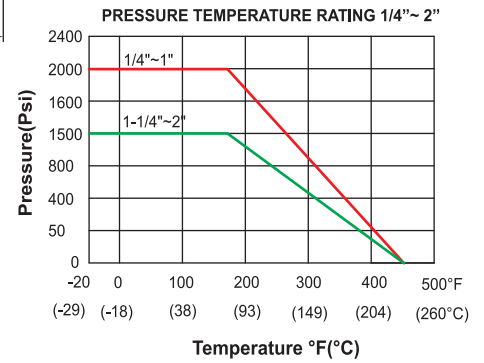
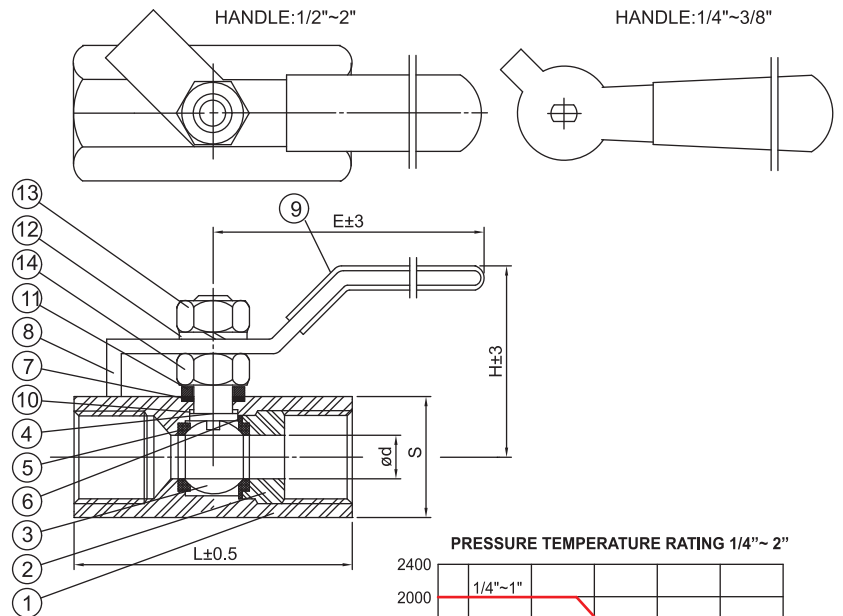
- *Pipe thread in accordance with ANSI B2.1, BS 21:1973, DIN 259/2999, ISO 228
- *Pressure rating: 2000 PSI (130 BAR) / 1500 PSI (100 BAR)
- *Investment casting body and insert
- *Blow-out proof stem
- *Reduced port
- *Carbon steel: bar stock (different dimension)

OPTION:

- *Wing handle

MATERIALS LIST

NO	PART NAME	QTY	MATERIALS	
			316	Carbon Steel
1	BODY	1	ASTM A351 GR.CF8M	AISI-1015/AISI-1020
2	INSCREWED SEAT RETAINER	1	ASTM A351 GR.CF8M	AISI-1015/AISI-1020
3	BALL	1	SS316	SS316
4	STEM	1	SS316	SS316
5	BALL SEAT	1	MG1241	MG1241
6	CAP SEAT	1	MG1241	MG1241
7	PACKING	1	PTFE	PTFE
8	HANDLE	1	STAINLESS STEEL	STAINLESS STEEL
9	HANDLE SLEEVE	1	VINYL GRIP	VINYL GRIP
10	THRUST WASHER	1	PTFE	PTFE
11	GLAND	1	SS304	SS304
12	WASHER	1	SS304	SS304
13	HANDLE NUT	1	SS304	SS304
14	STEM NUT	1	SS304	SS304



DIMENSIONS

SIZE	Ød	H	E	S	L	CV FACTOR	KG	TORQUE kgf-cm
1/4"	5	29	61	17.5	46.5	1.0	0.1	7
3/8"	7	35	80	21	51	2.5	0.12	10
1/2"	9.2	66	104	28.5	56	5.5	0.28	13
3/4"	12.5	69	107	34.5	65	10.0	0.44	18
1"	15	75	122	41	76	15.5	0.61	26
1-1/4"	20	78	146	53.5	92	20.0	1.26	50
1-1/2"	25	85	148	57.5	98	37.0	1.42	75
2"	32	98	150	73	114	60.0	2.66	130

UNIT:mm