

2-PC Full Port Ball Valve Screwed End



A2NS SIZE: 1/4" ~ 4"

HOT



STAINLESS STEEL
 AISI-316 (DIN 1.4408) (ASTM-A351-CF8M)
 AISI-304 (DIN 1.4308) (ASTM-A351-CF8)
 CARBON STEEL
 S-45C (DIN 1.0619) (ASTM-A216-WCB)

FEATURES:

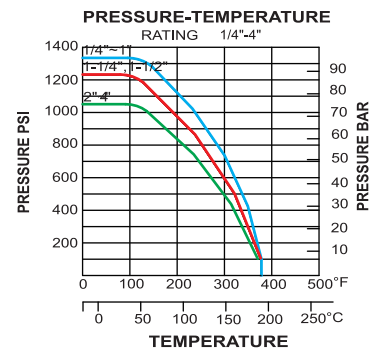
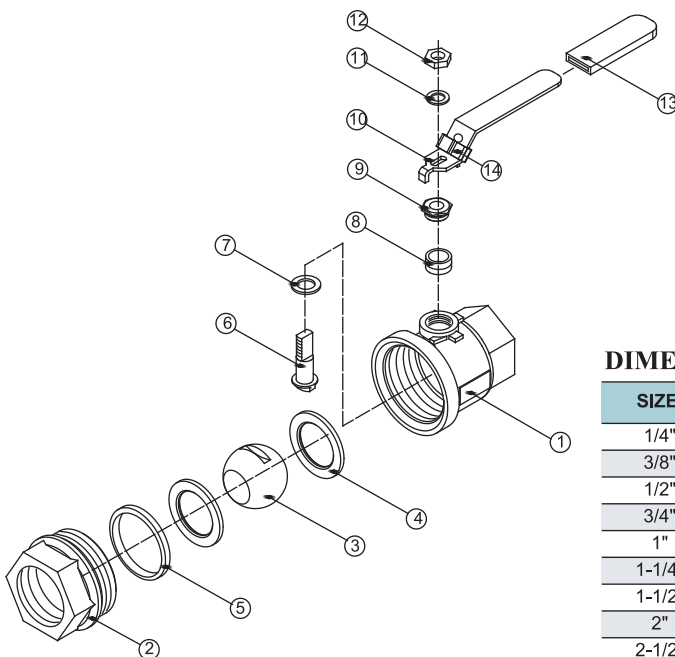
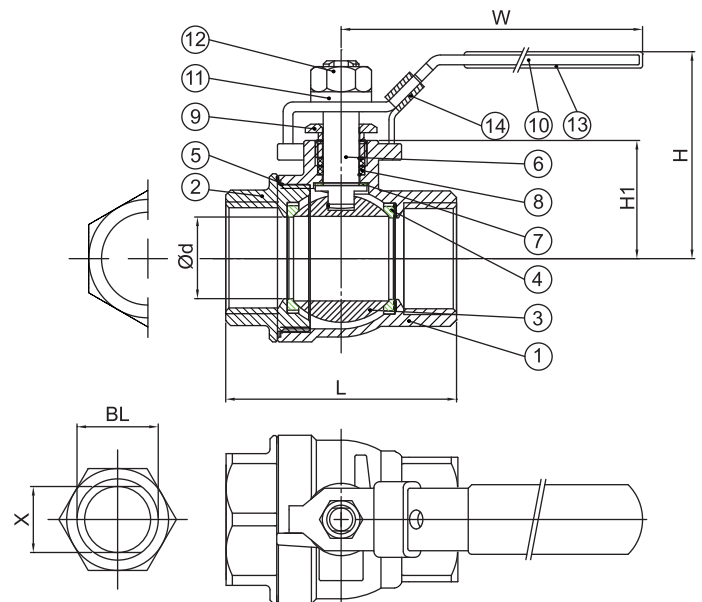
- *Pipe thread in accordance with ANSI B2.1, BS 21:1973, DIN 259/2999, ISO 228
- *Pressure rating: 1000 PSI (63 BAR)
- *Investment casting body and cap
- *Blow-out proof stem
- *Lug body

OPTION:

- *Locking device
- *Fire-safe design
- *Anti-static device
- *Reduced port

MATERIALS LIST

ITEM	PARTS	QTY	MATERIALS		
			316	304	WCB
1	BODY	1	ASTM-A351-CF8M	ASTM-A351-CF8	ASTM-A216-WCB
2	CAP	1	ASTM-A351-CF8M	ASTM-A351-CF8	ASTM-A216-WCB
3	BALL	1	ASTM-A351-CF8M	ASTM-A351-CF8	ASTM-A351-CF8
4	BALL SEAT	2	PTFE	PTFE	PTFE
5	JOINT GASKET	1	PTFE	PTFE	PTFE
6	STEM	1	AISI 316	AISI 304	AISI 304
7	THRUST WASHER	1	PTFE	PTFE	PTFE
8	STEM PACKING	2	PTFE	PTFE	PTFE
9	GLAND NUT	1	AISI 304	AISI 304	AISI 304
10	HANDLE	1	AISI 430	AISI 430	AISI 430
11	SPRING WASHER	1	AISI 304	AISI 304	AISI 304
12	STEM NUT	1	AISI 304	AISI 304	AISI 304
13	PLASTIC	1	P.V.C	P.V.C	P.V.C
14	LOCK DEVICE	1	AISI 430	AISI 430	AISI 430



DIMENSIONS

SIZE	Ød	L	H1	H	W	BL	X	Cv FACTOR	TORQUE kgf-cm
1/4"	9.2	40	19	43	76	5/16"-18	4	6.6	36
3/8"	12.8	42	23	50	76	5/16"-18	4	7.9	36
1/2"	15	50	24	50	85	5/16"-18	5	11.2	48
3/4"	20	60	31	57	95	3/8"-16	5	21	66
1"	25	70	36	68	120	7/16"-14	6.5	35	94
1-1/4"	32	80	40	74	120	7/16"-14	6.5	57	122
1-1/2"	38	90	50	85	150	1/2"-12	8.5	80	162
2"	50	105	58	94	150	1/2"-12	8.5	148	225
2-1/2"	65	140	73	136	215	3/4"-10	12	265	432
3"	80	158	84	146	215	3/4"-10	12	415	675
4"	100	200	103	168	300	1"-8	16	415	990

UNIT:mm