

A3DL SIZE: 1/2" ~ 4"



STAINLESS STEEL
 AISI-316 (DIN 1.4408) (ASTM-A351-CF8M)
 AISI-304 (DIN 1.4308) (ASTM-A351-CF8)
CARBON STEEL
 S-45C (DIN 1.0619) (ASTM-A216-WCB)

FEATURES:

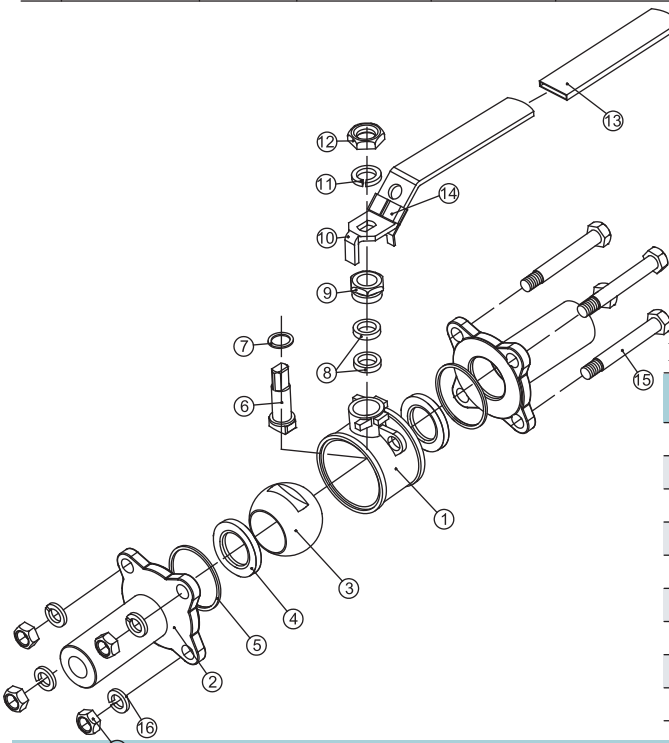
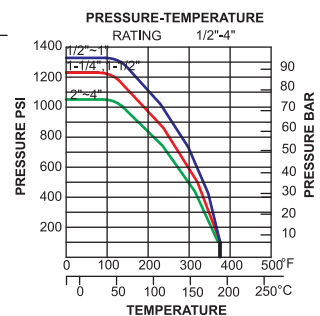
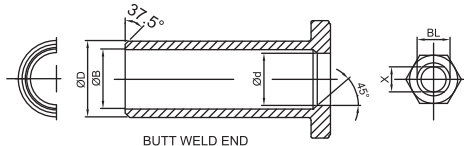
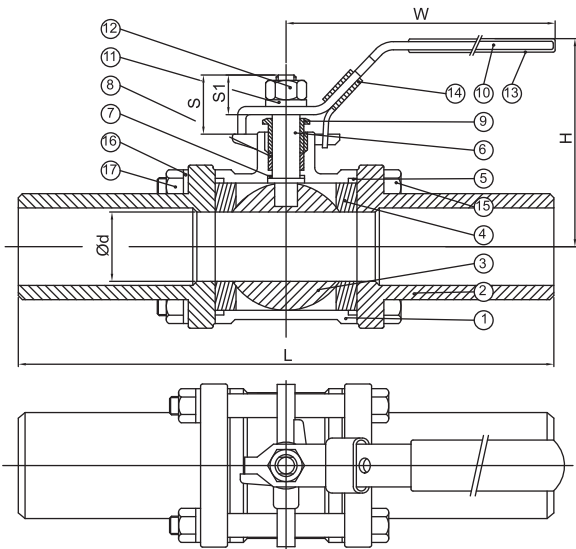
- *Long butt weld end
- *Investment casting body and cap
- *Pressure rating: 1000 PSI (63 BAR)
- *Blow-out proof stem
- *Lug body

OPTION:

- *Locking device

MATERIALS LIST

ITEM	PARTS	QTY	MATERIALS		
			316	304	WCB
1	BODY	1	ASTM-A351-CF8M	ASTM-A351-CF8	ASTM-A216-WCB
2	CAP	2	ASTM-A351-CF8M	ASTM-A351-CF8	ASTM-A216-WCB
3	BALL	1	ASTM-A351-CF8M	ASTM-A351-CF8	ASTM-A351-CF8
4	BALL SEAT	2	PTFE	PTFE	PTFE
5	JOINT GASKET	2	PTFE	PTFE	PTFE
6	STEM	1	AISI 316	AISI 304	AISI 304
7	THRUST WASHER	1	PTFE	PTFE	PTFE
8	STEM PACKING	2	PTFE	PTFE	PTFE
9	GLAND NUT	1	AISI 304	AISI 304	AISI 304
10	HANDLE	1	AISI 430	AISI 430	AISI 430
11	STEM WASHER	1	AISI 304	AISI 304	AISI 304
12	STEM NUT	1	AISI 304	AISI 304	AISI 304
13	PLASTIC COVER	1	P.V.C	P.V.C	P.V.C
14	LOCK DEVICE	1	AISI 304	AISI 304	AISI 304
15	BOLT	4(3",4"x6 PCS)	AISI 304	AISI 304	AISI 304
16	SPRING WASHER	4(3",4"x6 PCS)	AISI 304	AISI 304	AISI 304
17	HEX NUT	4(3",4"x6 PCS)	AISI 304	AISI 304	AISI 304



DIMENSIONS

NOMINAL SIZE	Ød	L	H	W ⁺⁰ ₋₁₀	ØD	ØB	S	S1	X	BL	Cv FACTOR	TORQUE kgf-cm	UNIT:mm	
													KGS	
1/2"	15	225	55	98	22.5	15	25.6	8.0	5.0	5/16"	11.2	54	0.67	
3/4"	20	225	60	118	30.7	20	29.1	13.5	6.5	3/8"	21	74	1.12	
1"	25	245	72	143	34.5	25	38.1	15.6	8.0	7/16"	34	106	1.42	
1-1/4"	32	255	78	143	43.5	32	44.1	15.6	8.0	7/16"	57	150	2.29	
1-1/2"	38	260	91	173	49.5	38	44.2	16.9	9.0	1/2"	80	200	3	
2"	50	275	105	173	61.5	53	48.1	16.9	9.0	1/2"	150	280	4.07	
2-1/2"	65	334	127	223	76	65	41.5	29.5	12	3/4"	265	480	8.4	
3"	80	354	137	223	92	80	38.5	29.5	12	3/4"	415	750	13.9	
4"	100	365	172	308	115	100	50.4	37	16	1"	780	1100	24.35	