

3-PC Mounting Pad Full Port Ball Valve



A3DM SIZE: 1/4" ~ 4"



STAINLESS STEEL
 AISI-316 (DIN 1.4408) (ASTM-A351-CF8M)
 AISI-304 (DIN 1.4308) (ASTM-A351-CF8)
CARBON STEEL
 S-45C (DIN 1.0619) (ASTM-A216-WCB)

FEATURES:

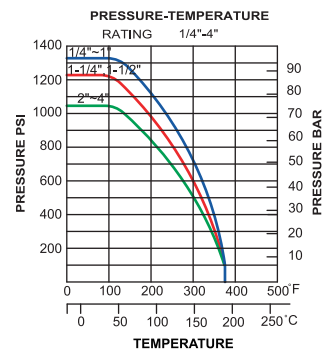
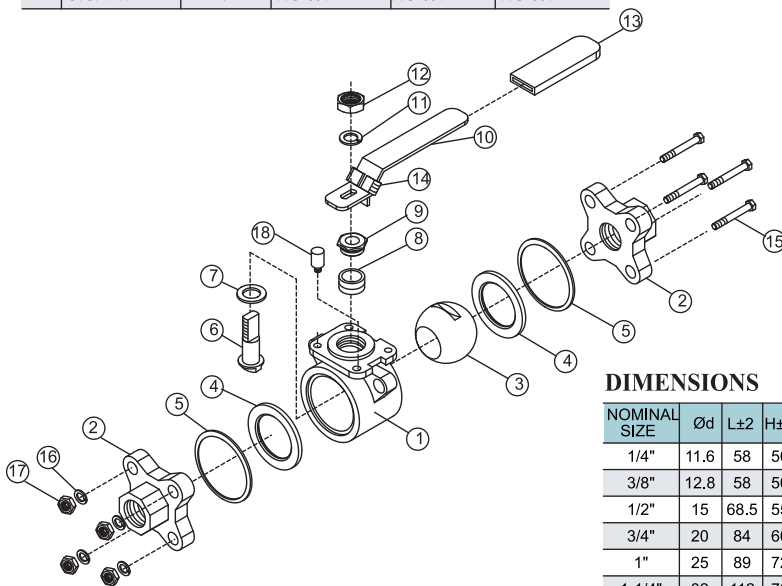
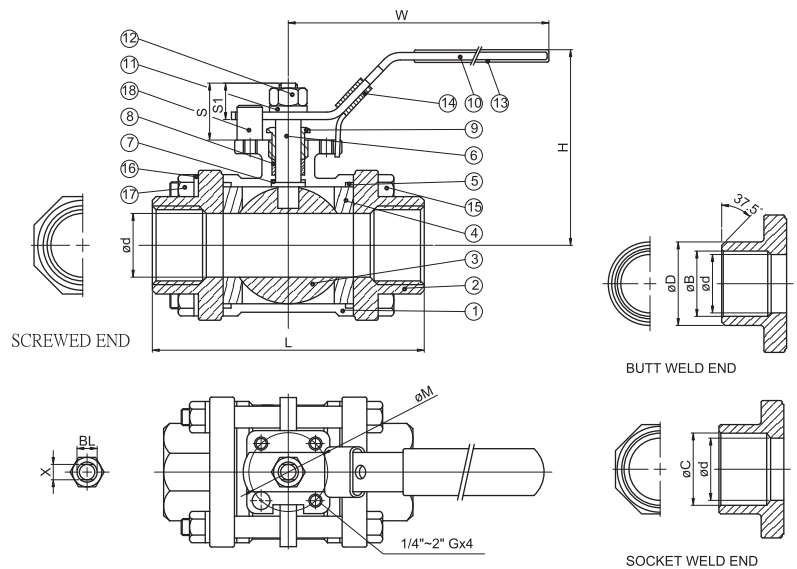
- *Pipe thread in accordance with ANSI B2.1, BS 21:1973, DIN 259/2999, ISO 228
- *Pressure rating: 1000 PSI (63 BAR)
- *Investment casting body and cap
- *Blow-out proof stem
- *ISO 5211 mounting pad
- *Screwed end / Butt weld end / Socket weld end
- *Lug body

OPTION:

- *Locking device
- *Anti-static device

MATERIALS LIST

ITEM	PARTS	QTY	MATERIALS		
			316	304	WCB
1	BODY	1	ASTM-A351-CF8M	ASTM-A351-CF8	ASTM-A216-WCB
2	CAP	2	ASTM-A351-CF8M	ASTM-A351-CF8	ASTM-A216-WCB
3	BALL	1	ASTM-A351-CF8M	ASTM-A351-CF8	ASTM-A351-CF8
4	BALL SEAT	2	PTFE	PTFE	PTFE
5	JOINT GASKET	2	PTFE	PTFE	PTFE
6	STEM	1	AISI 316	AISI 304	AISI 304
7	THRUST WASHER	1	PTFE	PTFE	PTFE
8	STEM PACKING	2	PTFE	PTFE	PTFE
9	GLAND NUT	1	AISI 304	AISI 304	AISI 304
10	HANDLE	1	AISI 430	AISI 430	AISI 430
11	STEM WASHER	1	AISI 304	AISI 304	AISI 304
12	STEM NUT	1	AISI 304	AISI 304	AISI 304
13	PLASTIC COVER	1	P.V.C	P.V.C	P.V.C
14	LOCK DEVICE	1	AISI 430	AISI 430	AISI 430
15	BOLT	4(3".4"x6 PCS)	AISI 304	AISI 304	AISI 304
16	SPRING WASHER	4(3".4"x6 PCS)	AISI 304	AISI 304	AISI 304
17	HEX NUT	4(3".4"x6 PCS)	AISI 304	AISI 304	AISI 304
18	STOP PIN	1	AISI 304	AISI 304	AISI 304



DIMENSIONS

NOMINAL SIZE	Ød	L±2	H±5	W ⁰ ₁₀	ØD	ØB	ØB1	S	S1	X	BL	ISO 5211 ØM	G	Cy FACTOR	TORQUE kgf-cm	KGS	UNIT:mm
1/4"	11.6	58	50	98	16.7	12	14	12.9	10.3	5.0	M8	36	M5	6.6	40	0.38	
3/8"	12.8	58	50	98	22.5	17.5	18	12.9	10.3	5.0	M8	36	M5	6.6	40	0.36	
1/2"	15	68.5	55	98	22	15	21.7	14.8	8.0	5.0	M8	36	M5	11.2	54	0.43	
3/4"	20	84	60	118	30.5	20	27.1	22.4	13.5	6.5	M8	36	M5	21	74	0.7	
1"	25	89	72	143	34.5	25	34	23.2	15.6	8.0	M10	42	M5	34	106	0.99	
1-1/4"	32	112	78	143	43.5	32	42.8	23.6	15.6	8.0	M10	42	M5	57	150	1.67	
1-1/2"	38	121	91	173	48	38	48.9	26.5	16.9	9.0	M12	50	M6	80	200	2.46	
2"	50	146	105	173	61.5	53	61.4	25.6	16.9	9.0	M12	50	M6	150	280	3.31	
2-1/2"	65	165	127	223	76	65	76.9	38.2	29.5	12	M16	70	M8	265	480	6.15	
3"	80	183	137	223	92	80	89.5	33.8	29.5	12	M16	102	M10	415	750	11.3	
4"	100	232	172	308	115	100	115.5	49.8	37	16	M24	102	M10	780	1100	21.2	