

SANITARY

DIRECT MOUNTING PAD

A3NS-MH-SAN-DIN SIZE: 3/8" ~ 4" **NEW**

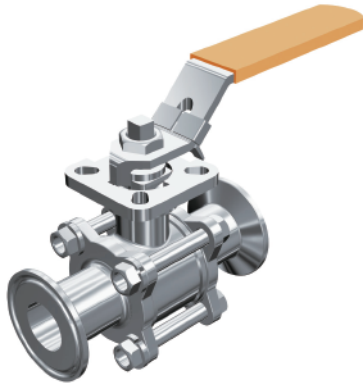
STAINLESS STEEL
 AISI-316 (DIN 1.4408) (ASTM-A351-CF8M)
 AISI-304 (DIN 1.4308) (ASTM-A351-CF8)

FEATURES:

- *Clamp end: DIN 11850
- *Butt weld end: DIN 11850
- *Pressure rating: 1000 PSI (63 BAR)
- *Investment casting body and cap
- *Blow-out proof stem
- *ISO 5211 direct mounting pad
- *Lug body
- *Inside port: Ra ≤ 0.1a
- *Clamp end / Butt weld end

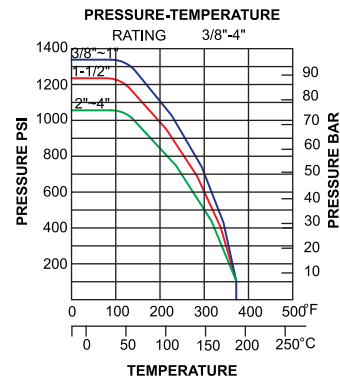
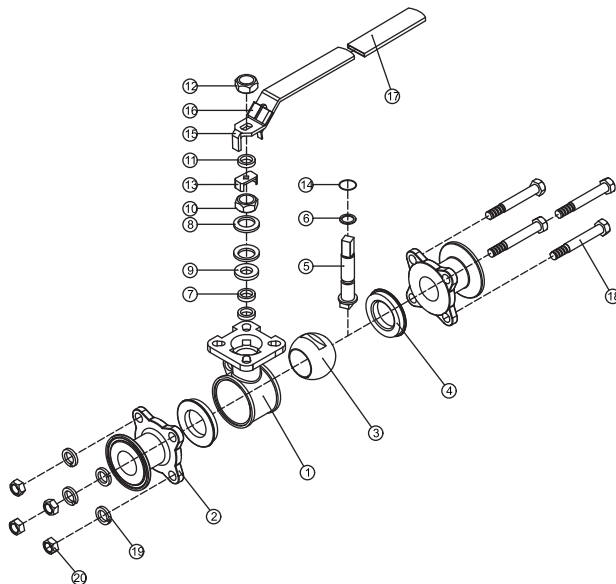
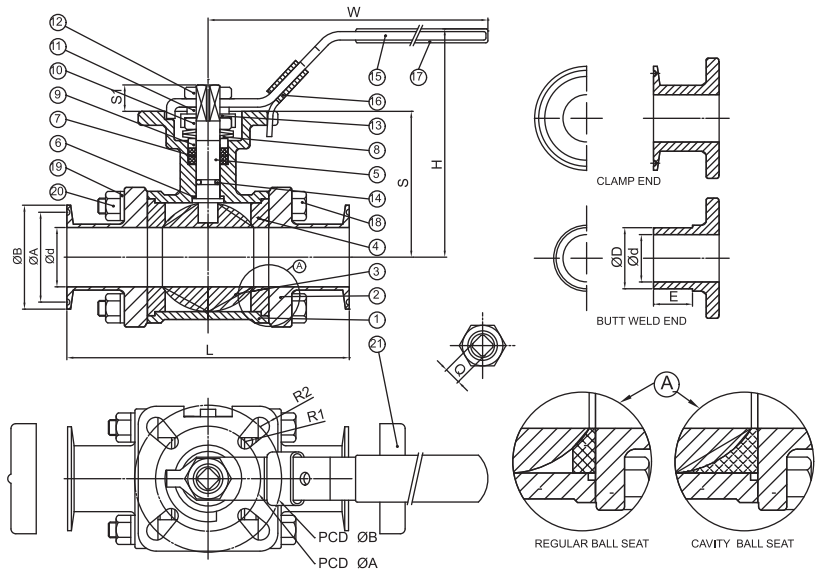
OPTION:

- *Locking device
- *Anti-static device
- *Cavity ball seat / Regular ball seat
- *No mounting pad



MATERIALS LIST

ITEM	PARTS	QTY	MATERIALS	
			316	316
1	BODY	1	ASTM-A351-CF8M	ASTM-A351-CF8
2	CAP	2	ASTM-A351-CF8M	ASTM-A351-CF8
3	BALL	1	ASTM-A351-CF8M	ASTM-A351-CF8
4	BALL SEAT	2	PTFE	PTFE
5	STEM	1	AISI 316	AISI 304
6	THRUST WASHER	1	PTFE	PTFE
7	STEM PACKING	2	PTFE	PTFE
8	B.V. WASHER	2	AISI 301	AISI 301
9	STEM RING	1	AISI 304	AISI 304
10	STEM NUT	1	AISI 304	AISI 304
11	SQUARE WASHER	1	AISI 304	AISI 304
12	HANDLE NUT	1	AISI 304	AISI 304
13	LOCK WASHER	1	AISI 304	AISI 304
14	ORING	1	VITON	VITON
15	HANDLE	1	AISI 304/430/410	AISI 304/430/410
16	LOCK DEVICE	1	AISI 304/430/410	AISI 304/430/410
17	PLASTIC COVER	1	P.V.C	P.V.C
18	BOLT	4(3".4"x6 PCS)	AISI 304	AISI 304
19	SPRING WASHER	8(2-1/2"x8PCS 3".4"x12PCS)	AISI 304	AISI 304
20	HEX NUT	8(2-1/2"x8PCS 3".4"x12PCS)	AISI 304	AISI 304
21	CAP COVER	2	P.V.C	P.V.C



DIMENSIONS

NOMINAL SIZE	Ød	L	H	W	ØA	ØB	ØD	E	S	S1	Q	ISO 5211				Cv FACTOR	TORQUE kgf-cm
												PCDØA	PCDØB	R1	R2		
3/8"	10	79	53	95	27.5	34	13	21.5	33	10	9	F03 /Ø36	F04 /Ø42	3.0	3.0	7.9	36
1/2"	16	89	57	95	27.5	34	19	21.5	36.5	10	9	F03 /Ø36	F04 /Ø42	3.0	3.0	11.2	49
3/4"	20	101	64	95	27.5	34	23	25	44	10	9	F03 /Ø36	F04 /Ø42	3.0	3.0	21	70
1"	26	114	75	120	43.5	50.5	29	28.7	52	12	11	F04 /Ø42	F05 /Ø50	3.0	3.5	34	95
1-1/4"	32	127	80	120	43.5	50.5	35	30	57.5	12	11	F04 /Ø42	F05 /Ø50	3.0	3.5	57	135
1-1/2"	38	140	100	150	43.5	50.5	41	29.7	69.3	16	14	F05 /Ø50	F07 /Ø70	3.5	4.5	80	180
2"	50	156	109	150	56.5	64	53	31	78.5	16	14	F05 /Ø50	F07 /Ø70	3.5	4.5	148	252
2-1/2"	66	197	135	215	83.5	91	70	37.5	101	19	17	F07 /Ø70	F10 /Ø102	4.5	5.5	265	432
3"	81	229	145	215	97	106	85	45	111	19	17	F07 /Ø70	F10 /Ø102	4.5	5.5	415	675
4"	100	241	160	300	110	119	104	37.5	126.5	19	17	F07 /Ø70	F10 /Ø102	4.5	5.5	780	990