

3-PC Sanitary Full Port Ball Valve



SANITARY

A3NS-SAN-3A SIZE:1/2" ~ 4" NEW



STAINLESS STEEL
 AISI-316 (DIN 1.4408) (ASTM-A351-CF8M)
 AISI-304 (DIN 1.4308) (ASTM-A351-CF8)

FEATURES:

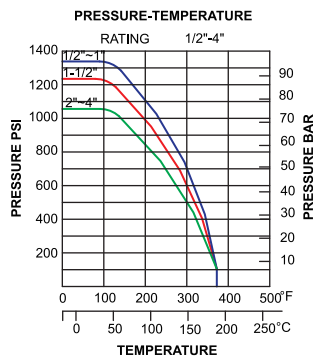
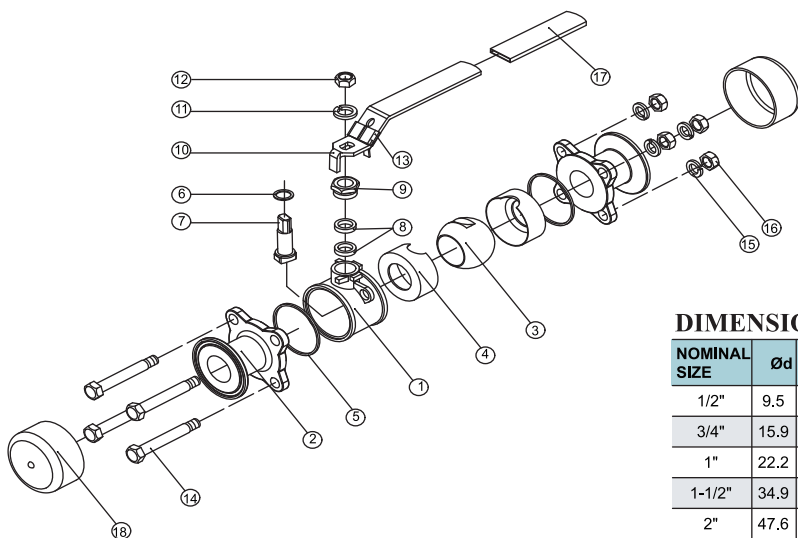
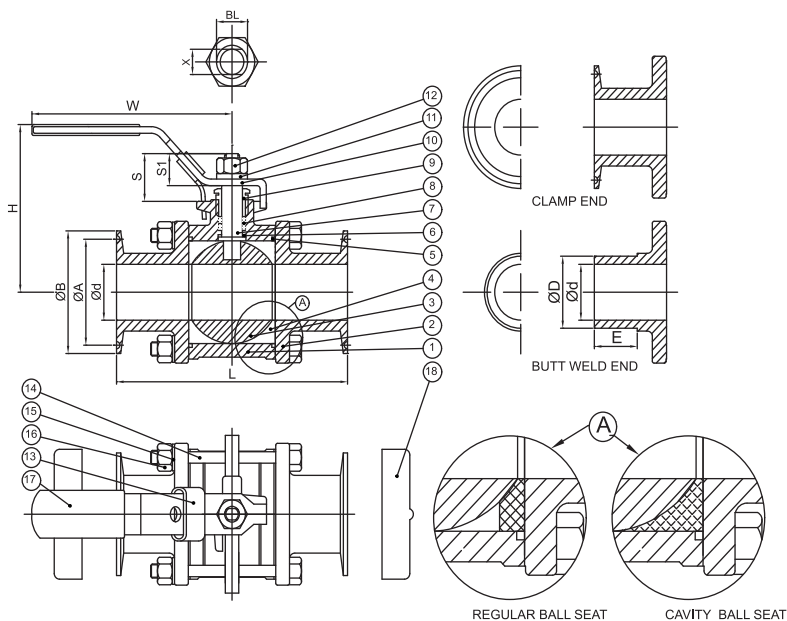
- *Clamp end: BS 4825-3, 3A standard
- *Butt weld end: 3A standard
- *Pressure rating: 1000 PSI (63 BAR)
- *Investment casting body and cap
- *Blow-out proof stem
- *Lug body
- *Inside port: Ra ≤ 0.1a
- *Clamp end / Butt weld end

OPTION:

- *Locking device
- *Anti-static device
- *Cavity ball seat / Regular ball seat

MATERIALS LIST

ITEM	PARTS	QTY	MATERIALS	
			316	304
1	BODY	1	ASTM-A351-CF8M	ASTM-A351-CF8
2	CAP	2	ASTM-A351-CF8M	ASTM-A351-CF8
3	BALL	1	ASTM-A351-CF8M	ASTM-A351-CF8
4	BALL SEAT	2	PTFE	PTFE
5	GASKET	2	PTFE	PTFE
6	THRUST WASHER	1	PTFE	PTFE
7	STEM	1	AISI 316	AISI 304
8	STEM PACKING	2	PTFE	PTFE
9	GLAND NUT	1	AISI 304	AISI 304
10	HANDLE	1	AISI 304	AISI 304
11	STEM WASHER	1	AISI 304	AISI 304
12	STEM NUT	1	AISI 304	AISI 304
13	LOCK DEVICE	1	AISI 304	AISI 304
14	BOLT	4(3",4"x6 PCS)	AISI 304	AISI 304
15	SPRING WASHER	4(1/2-1/2"x8PCS 3",4"x12PCS)	AISI 304	AISI 304
16	HEX NUT	4(1/2-1/2"x8PCS 3",4"x12PCS)	AISI 304	AISI 304
17	HANDLE COVER	1	P.V.C	P.V.C
18	CAP COVER	2	P.V.C	P.V.C



DIMENSIONS

NOMINAL SIZE	Ød	L	H	W	ØA	ØB	ØD	E	S	S1	X	BL	UNIT:mm	
													TORQUE	kgf-cm
1/2"	9.5	89	49	85	20.3	25.4	12.7	21	16	10	5.0	M8x1.25	49	
3/4"	15.9	101	60	95	20.3	25.4	19.1	25	17	10	5.0	M8x1.25	70	
1"	22.2	114	68	120	43.5	50.5	25.4	28.7	21	12	6.5	M10x1.5	95	
1-1/2"	34.9	140	83	150	43.5	50.5	38.1	29.7	25	14	8.5	M12x1.75	180	
2"	47.6	156	91	150	56.5	64	50.8	31	22	14	8.5	M12x1.75	252	
2-1/2"	60.3	197	122	215	70.5	77.5	63.5	37.5	36	27	12	M18x2.5	432	
3"	73	229	132	215	83.5	91	76.2	45	35	27	12	M18x2.5	675	
4"	97.6	241	160	300	110	119	101.6	37.5	41	31	15	M22x2.5	990	