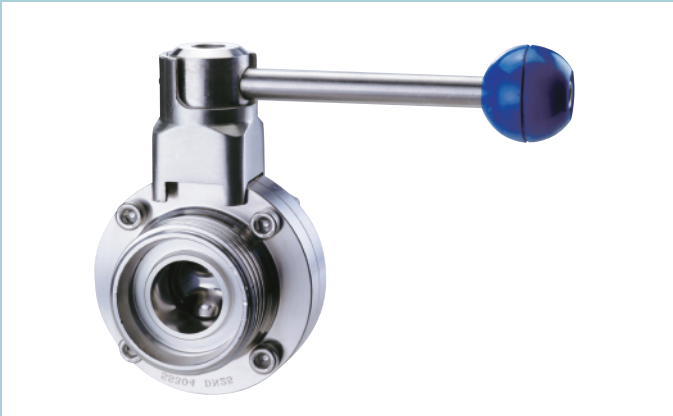


ABV-DIN SIZE: 3/4" ~ 4"



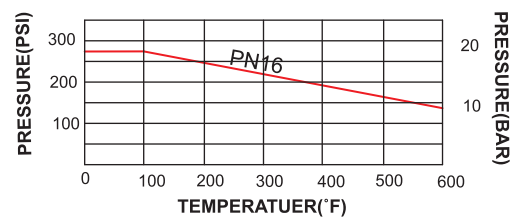
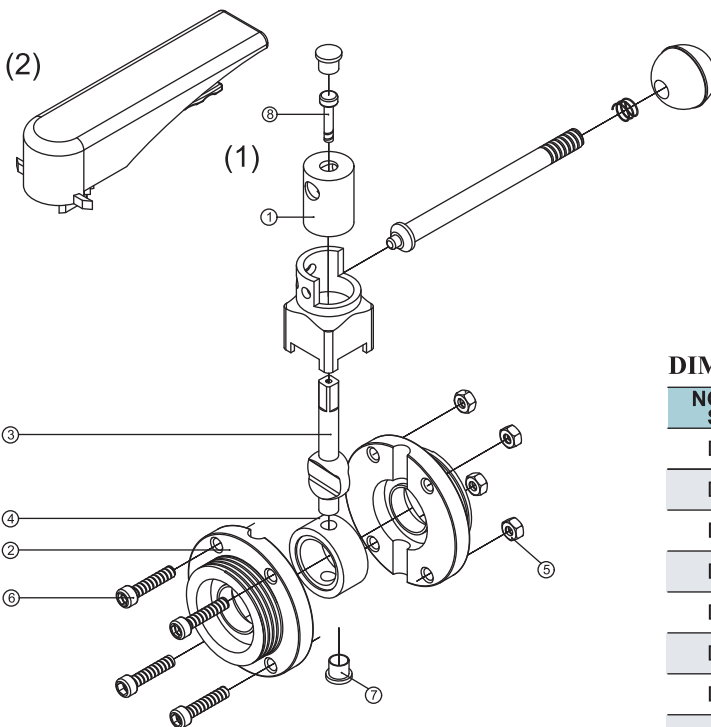
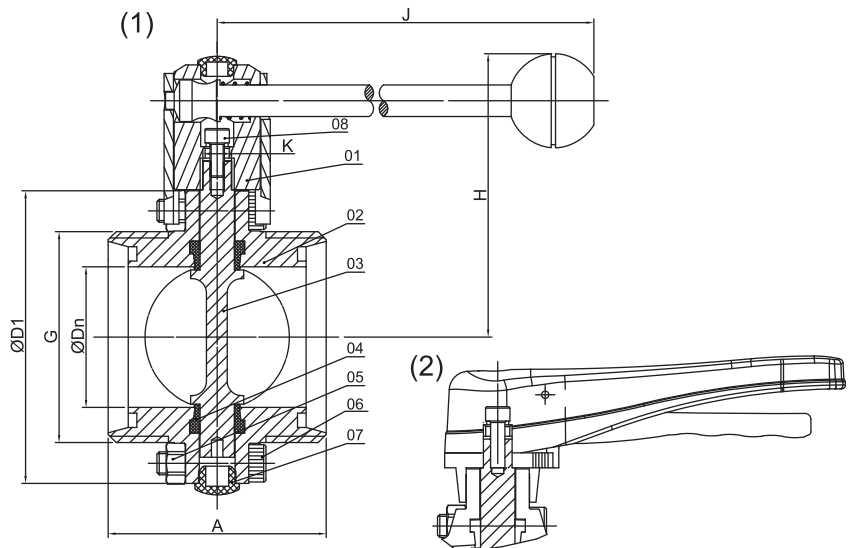
STAINLESS STEEL
 AISI-316 (DIN 1.4408) (ASTM-A351-CF8M)
 AISI-304 (DIN 1.4308) (ASTM-A351-CF8)

FEATURES:

- *Pipe thread in accordance with ANSI B2.1, BS 21:1973, DIN 259/2999, ISO 228
- *Clamp end: DIN 11850
- *Pressure rating: PN16
- *Investment casting body
- *Screwed end / Clamp end / Socket end

MATERIALS LIST

ITEM	PARTS	QTY	MATERIALS	
			316	304
1	Entire Hand	1	304	304
2	Body	2	316	304
3	Disc	1	316	304
4	Seat Seal	1	EPDM	EPDM
5	Nut	4	A2~70	A2~70
6	Bolt	4	A2~70	A2~70
7	Plug	1	ABS	ABS
8	HANDLE Bolt	1	A2~70	A2~70



DIMENSIONS

UNIT:mm

NOMINAL SIZE	Dn	G	D1	A	H	J	K
DN20	19	Rd44×1/6	78	66	86	126	8×8
DN25	25	Rd52×1/6	78	66	86	126	8×8
DN32	31	Rd58×1/6	86	70	90	126	8×8
DN40	37	Rd65×1/6	90	74	92	126	8×8
DN50	49	Rd78×1/6	106	76	104	133	10×10
DN65	66	Rd95×1/6	124	80	113	144	10×10
DN80	81	Rd110×1/4	139	84	123.5	160	11×11
DN100	100	Rd130×1/4	159	104	133.5	160	11×11