

ABV-SMS SIZE:3/4" ~ 4"



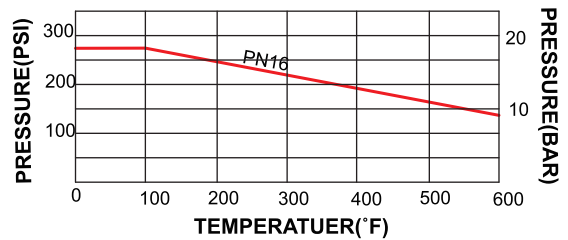
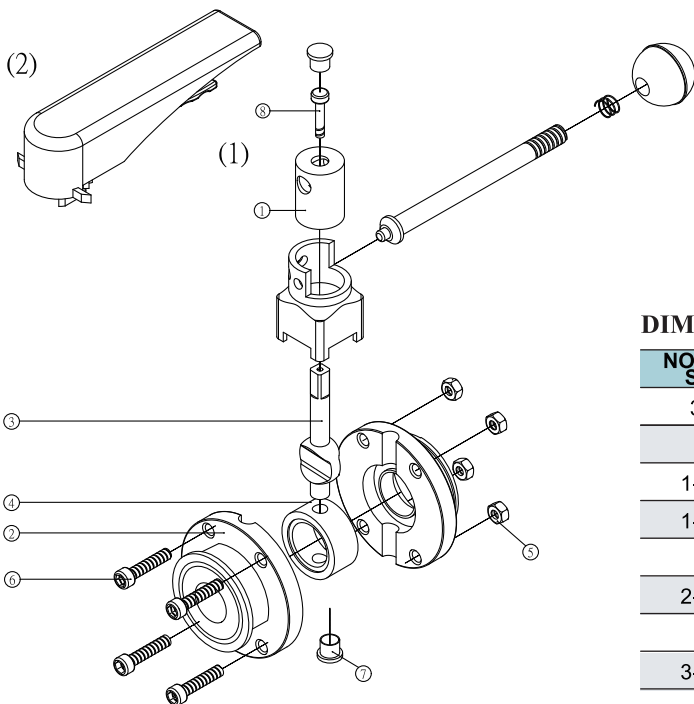
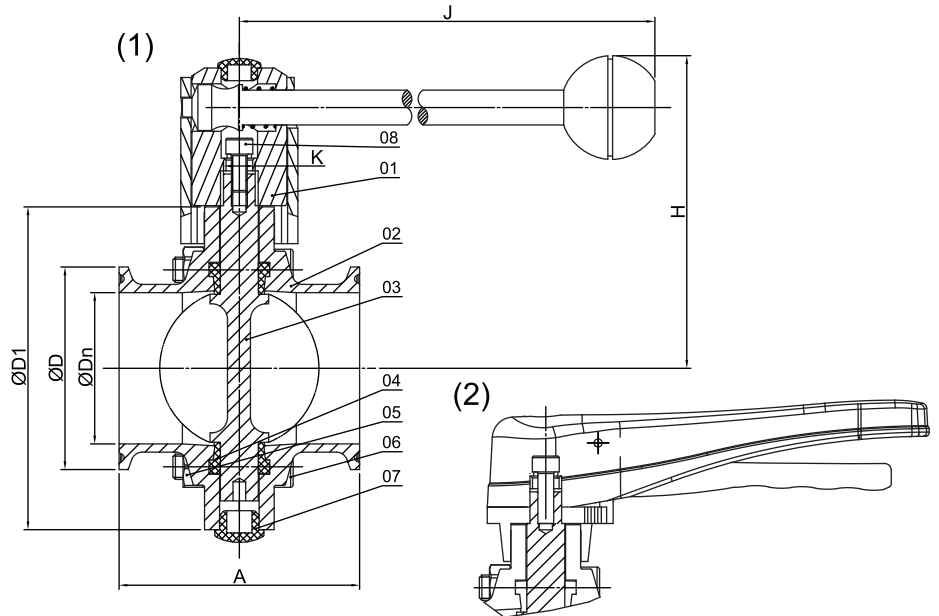
STAINLESS STEEL
 AISI-316 (DIN 1.4408) (ASTM-A351-CF8M)
 AISI-304 (DIN 1.4308) (ASTM-A351-CF8)

FEATURES:

- *Pipe thread in accordance with ANSI B2.1, BS 21:1973, DIN 259/2999, ISO 228
- *Pressure rating: PN16
- *Investment casting body
- *Screwed end / Clamp end / Socket end

MATERIALS LIST

ITEM	PARTS	QTY	MATERIALS	
			316	304
1	Entire Hand	1	304	304
2	Body	2	316	304
3	Disc	1	316	304
4	Seat Seal	1	EPDM	EPDM
5	Nut	4	A2-70	A2-70
6	Bolt	4	A2-70	A2-70
7	Plug	1	ABS	ABS
8	HANDLE Bolt	1	A2-70	A2-70



DIMENSIONS

NOMINAL SIZE	Dn	D	D1	A	H	J	K
3/4"	19	25.4	78	66	86	126	8×8
1"	25	50.5	78	66	86	126	8×8
1-1/4"	32	50.5	78	66	86	126	8×8
1-1/2"	38	50.5	86	70	90	126	8×8
2"	51	64	102	76	102	133	10×10
2-1/2"	63	77.5	115	80	109	144	10×10
3"	76	91	128	84	115	144	10×10
3-1/2"	89	106	139	86	123.5	144	11×11
4"	102	119	154	104	131	144	11×11