

# 1-PC Reduced Port Needle Valve Screwed End



**HIGH PRESSURE (10000 PSI) BAR STOCK**

**Needle Valve SIZE: 1/4" ~ 1"**



STAINLESS STEEL  
 AISI-316 (DIN 1.4408) (ASTM-A351-CF8M)  
 CARBON STEEL  
 S-45C (DIN 1.0619) (ASTM-A216-WCB)

**FEATURES:**

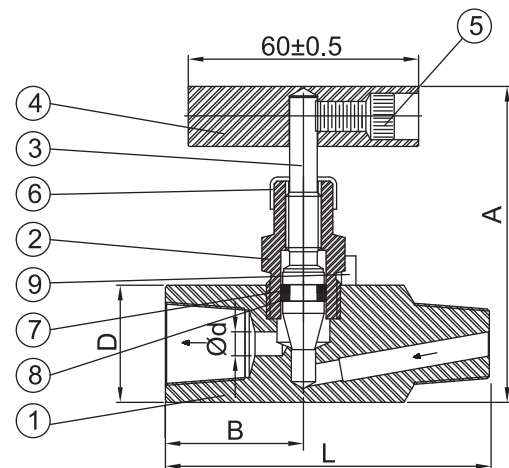
- \*Pipe thread in accordance with ANSI B2.1, BS 21:1973, DIN 259/2999, ISO 228
- \*Pressure rating: 10000 PSI
- \*Temperature range: MAX. 120 °C
- \*Reduced port

**OPTION:**

\*Screwed end: Female x Female / Female x Male

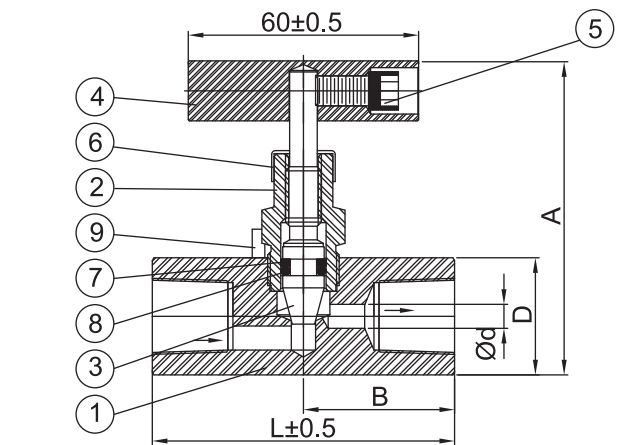
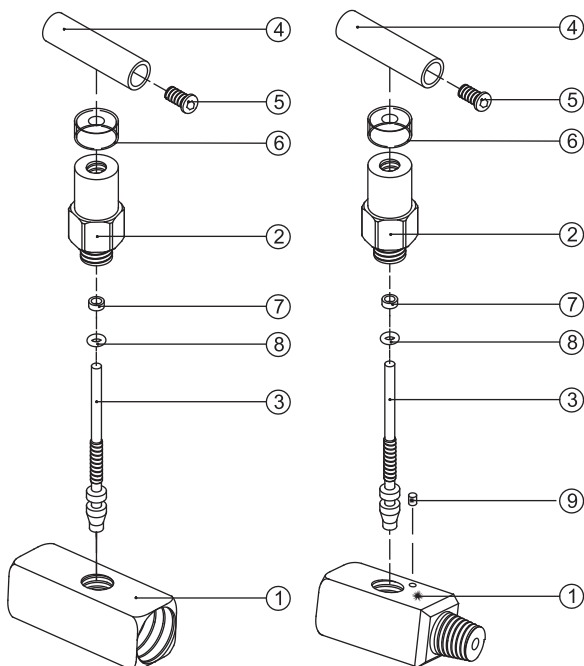
**MATERIALS LIST**

NO.	PARTS NAME	QTY	MATERIALS	
			316	CARBON STEEL
1	BODY	1	SS316	AISI-1015
2	BONNET	1	SS316	AISI-1015
3	STEM	1	SS316	SS316
4	HANDLE	1	SS304	SS304
5	HANDLE BOLT	1	SS304	SS304
6	BONNET HOOD	1	POLYTHYLENE	POLYTHYLENE
7	BACK-UP RING	1	VITON	VITON
8	O-RING SEAL	1	VITON	VITON
9	BONNET LOCKING PIN	1	SS304	SS304



Female x Female

Female x Male



**DIMENSIONS**

SIZE	A	B	D	L		Ød	KGS	
				FxF	FxM		FxF	FxM
1/4"	87	36.5	28.5	73	82.5	4.0	0.56	0.55
3/8"	87	36.5	28.5	73	81.3	4.0	0.54	0.52
1/2"	87	36.5	28.5	73	85.7	6.0	0.5	0.55
3/4"	90	36.5	35	73	85.7	6.0	0.73	0.74
1"	103	40	43	85	100	7.0	1.06	-