

**HIGH PRESSURE (6000 PSI) BAR STOCK**

Needle Valve SIZE: 1/4" ~ 1"



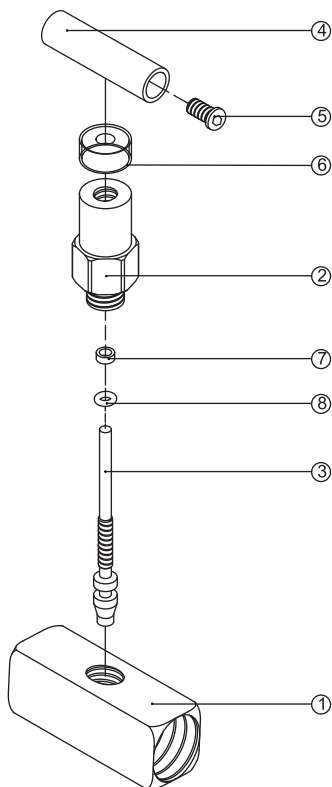
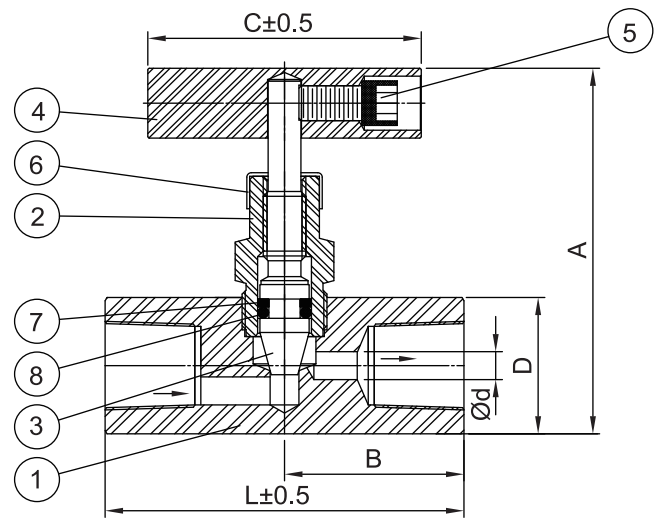
STAINLESS STEEL  
 AISI-316 (DIN 1.4408) (ASTM-A351-CF8M)  
 CARBON STEEL  
 S-45C (DIN 1.0619) (ASTM-A216-WCB)

**FEATURES:**

- \*Pipe thread in accordance with ANSI B2.1, BS 21:1973, DIN 259/2999, ISO 228
- \*Pressure rating: 6000 PSI (400 BAR)
- \*Temperature range: Max. 120° C
- \*Reduced port

**MATERIALS LIST**

NO.	PARTS NAME	QTY	MATERIALS	
			316	CARBON STEEL
1	BODY	1	ASTM A351 GR.CF8M	AISI-1015
2	BONNET	1	ASTM A351 GR.CF8M	AISI-1015
3	STEM	1	SS316	SS316
4	HANDLE	1	SS304	SS304
5	HANDLE BOLT	1	SS304	SS304
6	BONNET HOOD	1	POLYTHYLENE	POLYTHYLENE
7	BACK-UP RING	1	VITON	VITON
8	O-RING SEAL	1	VITON	VITON



**DIMENSIONS**

SIZE	A	B	C	D	L	Ød	KG
1/4"	75	29	55	24	58	4.0	0.3
3/8"	75	29	55	26	58	4.0	0.32
1/2"	87	32.5	60	30	65	6.0	0.5
3/4"	90	35	60	36	70	6.0	0.66
1"	103	40	60	45	80	7.0	1.10

UNIT:mm