

V1 SIZE: 1/4"~4" **HOT**



STAINLESS STEEL
 AISI-316 (DIN 1.4408) (ASTM-A351-CF8M)
 AISI-304 (DIN 1.4308) (ASTM-A351-CF8)
 CARBON STEEL
 S-45C (DIN 1.0619) (ASTM-A216-WCB)

FEATURES:

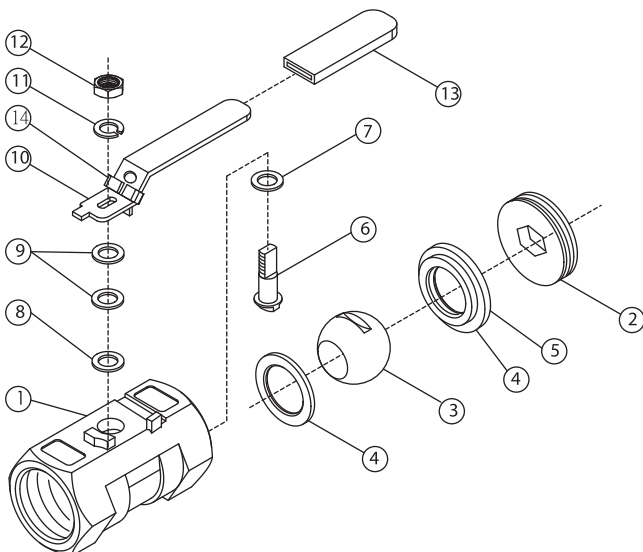
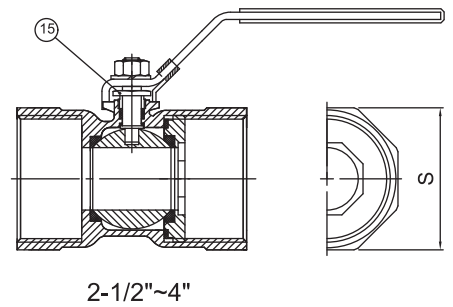
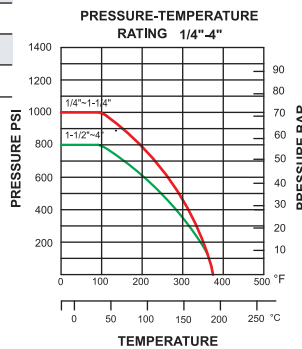
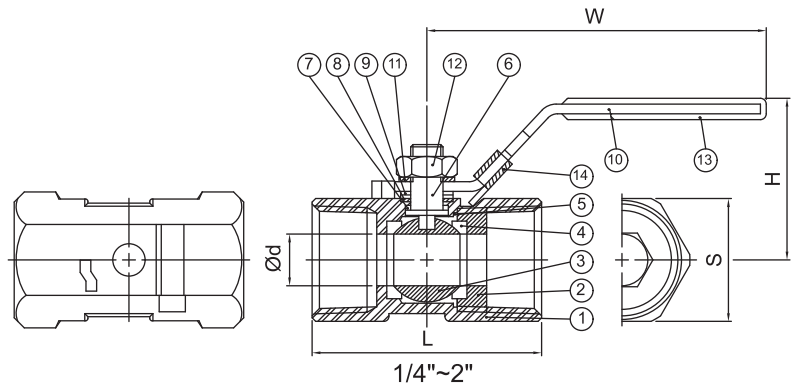
- *Pipe thread in accordance with ANSI B2.1, BS 21:1973, DIN 259/2999, ISO 228
- *Pressure rating: 800 PSI (55 BAR) / 1000 PSI (63 BAR)
- *Investment casting body and insert
- *Blow-out proof stem
- *Reduced port

OPTION:

- *Oval handle
- *Wing handle

MATERIALS LIST

ITEM	PART	QTY	MATERIALS		
			316	304	WCB
1	BODY	1	ASTM-A351-CF8M	ASTM-A351-CF8	ASTM-A351-WCB
2	INSERT	1	ASTM-A351-CF8M	ASTM-A351-CF8	ASTM-A351-WCB
3	BALL	1	ASTM-A351-CF8M	ASTM-A351-CF8	ASTM-A351-CF8
4	BALL SEAT	2	PTFE	PTFE	PTFE
5	JOINT GASKET	1	PTFE	PTFE	PTFE
6	STEM	1	AISI 316	AISI 304	AISI 304
7	THRUST WASHER	1	PTFE	PTFE	PTFE
8	STEM PACKING	1	PTFE	PTFE	PTFE
9	STEM WASHER	2(1/4"~2")	AISI 304	AISI 304	AISI 304
10	HANDLE	1	AISI 304	AISI 304	AISI 304
11	SPRING WASHER	1	AISI 304	AISI 304	AISI 304
12	STEM NUT	1	AISI 304	AISI 304	AISI 304
13	PLASTIC COVER	1	P.V.C	P.V.C	P.V.C
14	LOCK DEVICE	1	AISI 304	AISI 304	AISI 304
15	GLAND NUT	1(2-1/2"~4")	AISI 316	AISI 304	AISI 304



DIMENSIONS

SIZE	Ød	L±1	H±3	W±3	S	Cv FACTOR	TORQUE		UNIT:mm
							kgf-cm	kgs	
1/4"	5	40	26	66.5	17	3.8	12	0.07	
3/8"	7	44	27	76.5	20.5	4.0	12	0.13	
1/2"	9.2	57	35	94	25	4.5	13	0.17	
3/4"	12.5	59.5	38	94	32	9.0	20	0.25	
1"	16	71	44	112	38	16	38	0.42	
1-1/4"	20	78	48	112	48	24	50	0.68	
1-1/2"	24.5	82.5	55	137	53	37	72	0.85	
2"	32	99	61	137	64	68	90	1.39	
2-1/2"	38	120	80	154	83	-	360	1.98	
3"	50	140	100	191	98	-	600	3.6	
4"	65	170	129	246	127	-	950	7.47	