

1-PC Reduced Port Ball Valve Flange End



DIRECT MOUNTING PAD

V1F-MH SIZE: 1/2" ~ 4"



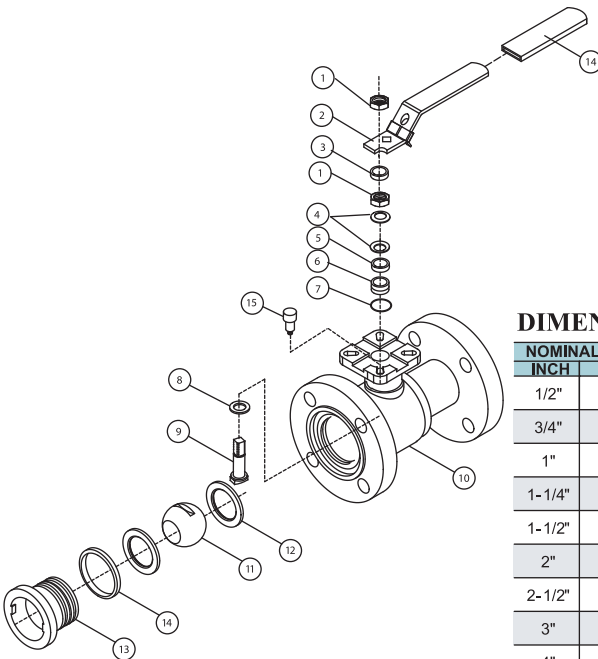
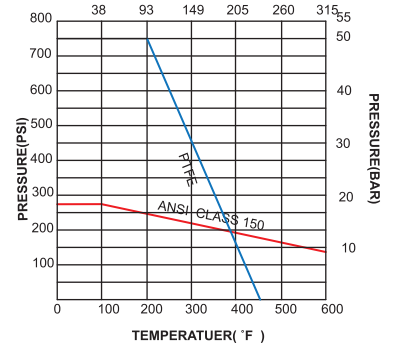
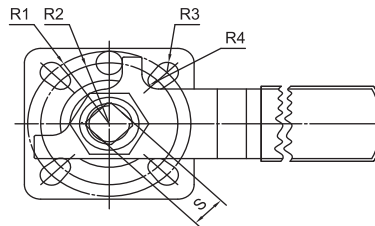
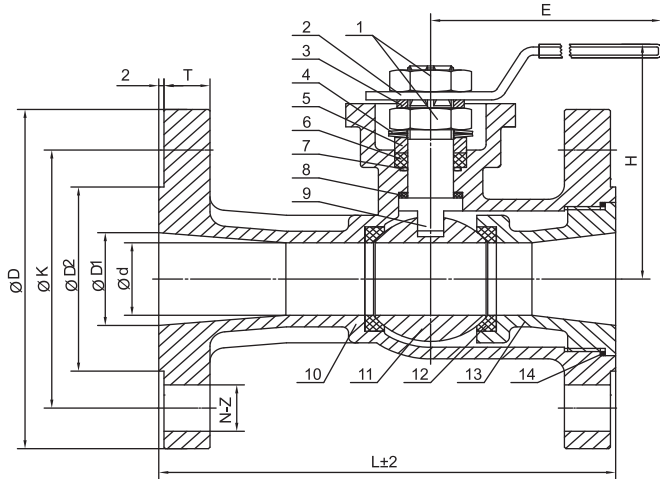
STAINLESS STEEL
 AISI-316 (DIN 1.4408) (ASTM-A351-CF8M)
 AISI-304 (DIN 1.4308) (ASTM-A351-CF8)

FEATURES:

- *Flange: ANSI B16.5 Class 150
- *Face to face: ANSI B16.10
- *Pressure rating: 150LBS
- *Investment casting body and cap
- *Blow-out proof stem
- *ISO 5211 direct mounting pad
- *Reduced port

MATERIALS LIST

ITEM	PART	QTYL	MATERIALS	
			304	316
1	Nut	2	304	316
2	Handle	1	201	201
3	Square Washer	1	304	316
4	Belleville Washer	2	304	316
5	Bushing	1	304	316
6	Packing	2	PTFE	PTFE
7	O-Ring	1	NBR	NBR
8	Thrust Gasket	1	PTFE	PTFE
9	Stem	1	304	316
10	Body	1	CF8	CF8M
11	Ball	1	304	316
12	Seat	2	PTFE /RPTFE	PTFE /RPTFE
13	Cap	1	CF8	CF8M
14	Gasket	1	PTFE	PTFE
15	Stop Pin	1	304	304



DIMENSIONS

NOMINAL SIZE	UNIT:mm																	
	INCH	MM	Ø d	D 1	D 2	K	D	T	N-Z	L	H	E	R 1	R 2	R 3	R 4	S	TORQUE
1/2"		15	9	15	34.9	60.3	89	9.6	4-16	108	70	120	18	21	3	3	9	3.5
3/4"		20	15	20	42.9	69.9	100	10	4-16	117	76	120	18	21	3	3	9	3.5
1"		25	20	25	50.8	79.4	108	10	4-16	127	81	145	21	25	3.5	3	9	4.5
1-1/4"		32	25	32	63.5	88.9	115	13	4-16	140	85	190	21	25	3.5	3	11	7
1-1/2"		40	32	38	73	98.4	125	14.5	4-16	165	103	220	25	35	4.5	3.5	14	8.5
2"		50	38	49	92.1	120.7	150	15	4-19	178	117	220	25	35	4.5	3.5	14	14.5
2-1/2"		65	49	65	104.8	139.7	178	16	4-19	190	133	260	35	51	5.5	4.5	17	21
3"		80	65	80	127	152.4	190	17.5	4-19	203	138	260	35	51	5.5	4.5	19	28
4"		100	80	100	157.2	190.8	229	22	8-19	229	188	300	35	51	5.5	4.5	19	51