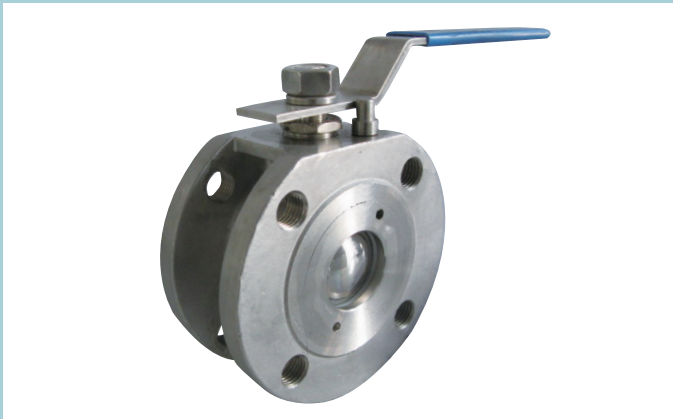


DIRECT MOUNTING PAD

V1FW-MH SIZE: 1/2" ~ 6"



STAINLESS STEEL
 AISI-316 (DIN 1.4408) (ASTM-A351-CF8M)
 AISI-304 (DIN 1.4308) (ASTM-A351-CF8)
 CARBON STEEL
 S-45C (DIN 1.0619) (ASTM-A216-WCB)

FEATURES:

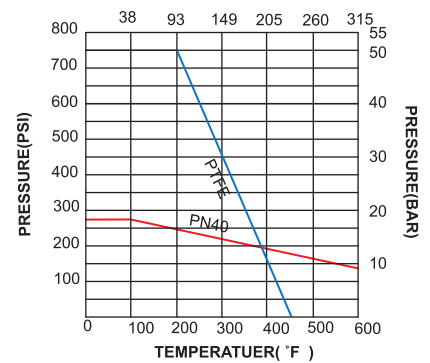
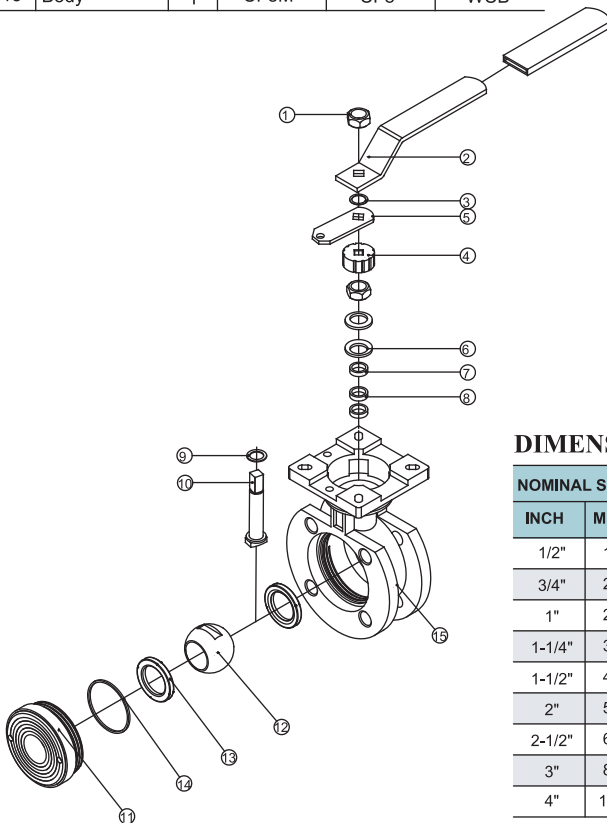
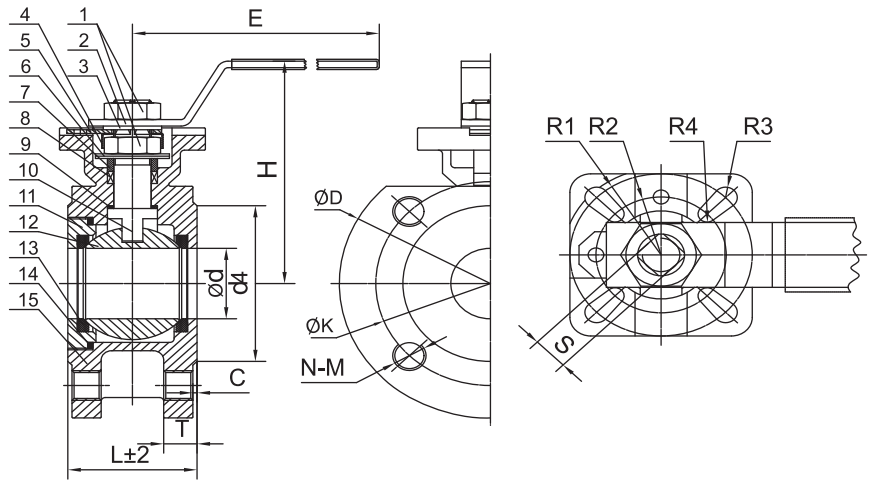
- *Flange: DIN 2633 PN16
- *Pressure rating: PN16
- *Investment casting body and cap
- *Blow-out proof stem
- *ISO 5211 direct mounting pad
- *Solid ball: 1/2"~1-1/4"
- *Hollow ball: 1-1/2"~6"

OPTION:

- *5" & 6"

MATERIALS LIST

ITEM	PARTS	QTY	MATERIALS		
			316	304	WCB
1	Nut	2	316	304	304
2	Handle	1	201	201	201
3	Square Washer	1	316	304	304
4	Stop-lock-cap	1	316	304	304
5	Limit Stop	1	316	304	304
6	Belleville Washer	2	316	304	304
7	Bushing	1	316	304	304
8	Packing	2	PTFE	PTFE	PTFE
9	Thrust Gasket	1	PTFE	PTFE	PTFE
10	Stem	1	316	304	304
11	Cap	1	CF8M	CF8	WCB
12	Ball	1	316	304	304
13	Seat	2	PTFE/RPTFE		
14	Gasket	1	PTFE	PTFE	PTFE
15	Body	1	CF8M	CF8	WCB



DIMENSIONS

NOMINAL SIZE		d	d4	K	D	C	T	N-M	H	E	L	R1	R2	R3	R4	S	TORQUE
INCH	MM																kgf-cm
1/2"	15	15	45	65	95	1.5	11	4-M12	70	125	35	21	18	3.0	3.0	9.0	3.5
3/4"	20	20	58	75	105	1.5	12	4-M12	74	125	37	21	18	3.0	3.0	9.0	3.5
1"	25	25	67	85	115	1.5	13	4-M12	89	155	43	25	21	3.5	3.0	11	4.5
1-1/4"	32	32	78	100	135	2.0	14	4-M16	100	155	53	25	21	3.5	3.0	11	7.0
1-1/2"	40	38	84	110	145	2.0	16	4-M16	120	195	62	35	25	4.5	3.5	14	8.5
2"	50	49	102	125	155	2.0	17	4-M16	129	195	76	35	25	4.5	3.5	14	14.5
2-1/2"	65	58	118	145	183	2.0	18	4-M16	143	250	93	51	35	5.5	4.5	19	21
3"	80	76	140	160	200	3.0	20	8-M16	160	270	110	51	35	5.5	4.5	19	28
4"	100	90	162	180	212	3.0	21	8-M16	158	280	133	51	35	5.5	4.5	19	51