

# 1-PC Hexagonal Reduced Port Ball Valve Screwed End **BuffaloValves**

**BAR STOCK / INVESTMENT CASTING**

**V1H SIZE: 1/4" ~ 2"**



**STAINLESS STEEL**  
 AISI-316 (DIN 1.4408) (ASTM-A351-CF8M)  
 AISI-304 (DIN 1.4308) (ASTM-A351-CF8)

**FEATURES:**

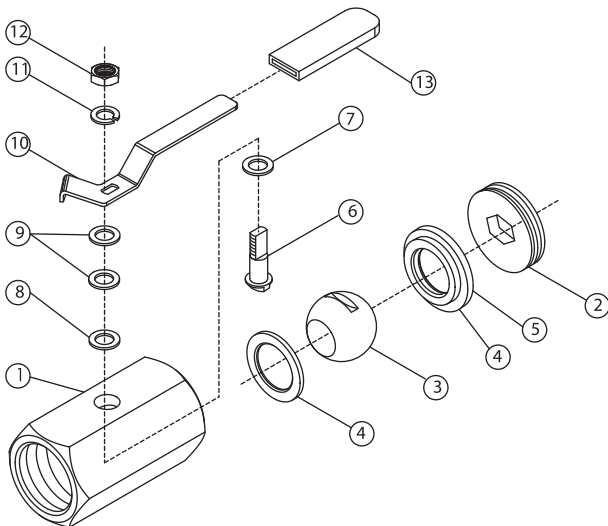
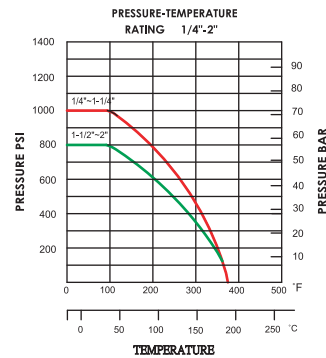
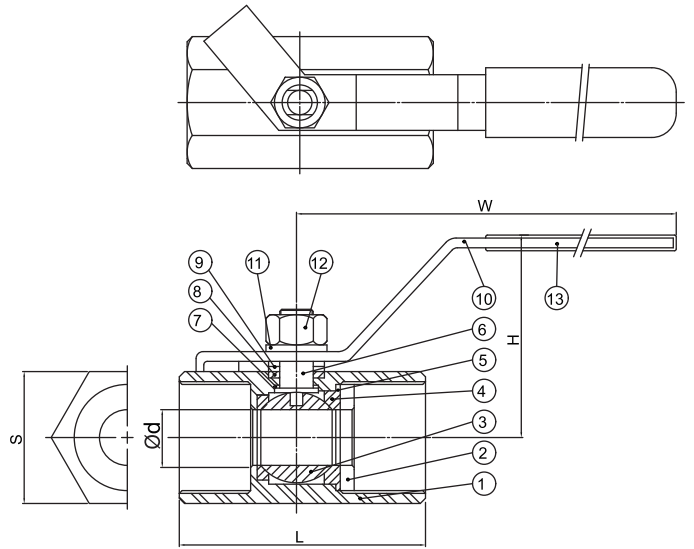
- \*Pipe thread in accordance with ANSI B2.1, ANSI B1.20.1-1983, BS 21:1973, DIN 259/2999, ISO 228
- \*Pressure rating: 1000 PSI (63 BAR)
- \*Blow-out proof stem
- \*Reduced port

**OPTION:**

- \*2000 PSI (130 BAR)

**MATERIALS LIST**

ITEM	PART	QTY	MATERIALS		
			316	304	WCB
1	BODY	1	ASTM-A351-CF8M	ASTM-A351-CF8	ASTM-A351-WCB
2	INSERT	1	ASTM-A351-CF8M	ASTM-A351-CF8	ASTM-A351-WCB
3	BALL	1	ASTM-A351-CF8M	ASTM-A351-CF8	ASTM-A351-CF8
4	BALL SEAT	2	PTFE	PTFE	PTFE
5	JOINT GASKET	1	PTFE	PTFE	PTFE
6	STEM	1	AISI 316	AISI 304	AISI 304
7	THRUST WASHER	1	PTFE	PTFE	PTFE
8	STEM PACKING	1	PTFE	PTFE	PTFE
9	STEM WASHER	2	AISI 304	AISI 304	AISI 304
10	HANDLE	1	AISI 410	AISI 410	AISI 410
11	SPRING WASHER	1	AISI 304	AISI 304	AISI 304
12	STEM NUT	1	AISI 304	AISI 304	AISI 304
13	PLASTIC COVER	1	P.V.C	P.V.C	P.V.C



**DIMENSIONS**

SIZE	W	L	H	ød	S	Cv FACTOR	UNIT:mm	
							TORQUE kgf-cm	kgs
1/4"	67	38	30	5.0	17	3.8	12	0.07
3/8"	82	44	32	7.0	21	4.0	12	0.13
1/2"	109	56	53	9.2	25	4.5	13	0.21
3/4"	109	59	57	12.5	32	9.0	20	0.31
1"	121	70	60	16	38	16	38	0.44
1-1/4"	121	77	65	20	48	24	50	0.68
1-1/2"	145	82	70	24.5	53	37	72	0.85
2"	152	97	78	32	64	68	90	1.39