

2-PC Full Port Ball Valve Flanged End



V2F-PN40 SIZE: 1/2" ~ 4"



STAINLESS STEEL
 AISI-316 (DIN 1.4408) (ASTM-A351-CF8M)
 AISI-304 (DIN 1.4308) (ASTM-A351-CF8)
 CARBON STEEL
 S-45C (DIN 1.0619) (ASTM-A216-WCB)

FEATURES:

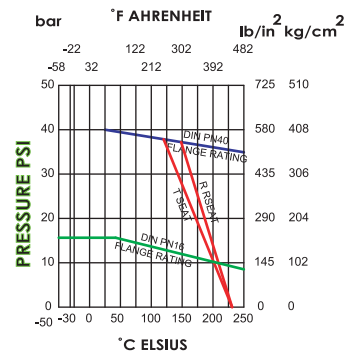
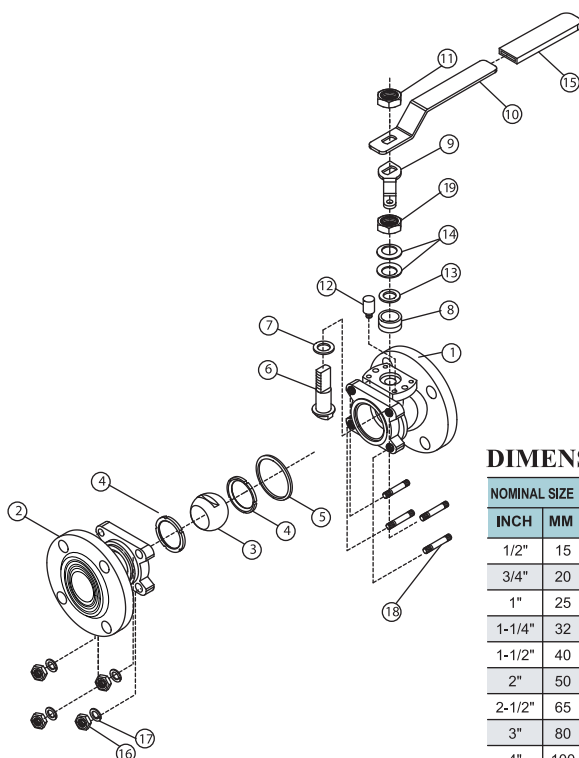
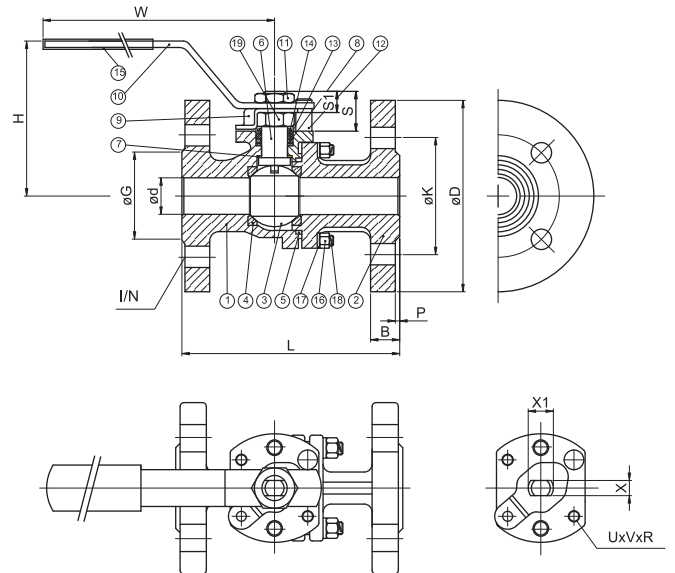
- *Flange: DIN 2635 PN40
- *Face to face: DIN 3202 F1/F4
- *Pressure rating: PN40
- *Investment casting body and cap
- *Blow-out proof stem
- *ISO 5211 mounting pad
- *Fire-safe design
- *Anti-static device

OPTION:

- *Casting handle

MATERIALS LIST

ITEM	PARTS	QTY	MATERIALS		
			316	304	WCB
1	BODY	1	ASTM-A351-CF8M	ASTM-A351-CF8	ASTM-A216-WCB
2	CAP	1	ASTM-A351-CF8M	ASTM-A351-CF8	ASTM-A216-WCB
3	BALL	1	ASTM-A351-CF8M	ASTM-A351-CF8	ASTM-A351-CF8
4	BALL SEATS	2	PTFE	PTFE	PTFE
5	JOINT GASKET	1	Graphite	Graphite	Graphite
6	STEM	1	AISI 316	AISI 304	AISI 304
7	THRUST WASHER	1	PTFE	PTFE	PTFE
8	STEM PACKING	2	Graphite	Graphite	Graphite
9	STOPPER	1(1/2"-4")	AISI 304	AISI 304	AISI 304
10	HANDLE	1	AISI 304	AISI 304	AISI 304
11	HANDLE NUT	1	AISI 304	AISI 304	AISI 304
12	STOP PIN	1	AISI 304	AISI 304	AISI 304
13	STEM RING	1	AISI 304	AISI 304	AISI 304
14	BELLEVILLE WASHER	2	AISI 301	AISI 301	AISI 301
15	PLASTIC COVER	1	P.V.C	P.V.C	P.V.C
16	NUT	(1/2"-2"x 4pcs)	AISI 304	AISI 304	AISI 304
17	SPRING WASHER	(2-1/2"-3"x 6pcs)	AISI 304	AISI 304	AISI 304
18	STUD BOLT	(4" x 8pcs)	AISI 304	AISI 304	AISI 304
19	STEM NUT	1	AISI 304	AISI 304	AISI 304



DIMENSIONS

NOMINAL SIZE	INCH	MM	ISO 5211	L		DIN-PN40										UNIT:mm				
				F1	F4	ØD	ØK	ØG	B	I/N	X	X1	P	S	S1	H	W	TORQUE kgf-cm	KGS	
1/2"	15	15	4-42xM5 xP0.8	130	115	95	65	45	16	14/4	8.6	M14x2.0	2	19	10	74	170	54	2.21	2.15
3/4"	20	20	4-42xM5 xP0.8	150	120	105	75	58	18	14/4	8.6	M14x2.0	2	24	13	77	170	78	3.0	2.87
1"	25	25	4-50xM6 xP1.0	160	125	115	85	68	18	14/4	10	M16x2.0	2	24	14	83	170	106	4.08	3.87
1-1/4"	32	32	4-50xM6 xP1.0	180	130	140	100	78	18	18/4	10	M16x2.0	2	29	17.5	88	170	150	5.87	5.48
1-1/2"	40	38	4-70xM8 xP1.25	200	140	150	110	88	18	18/4	12	M20x2.5	3	31	18.5	123	250	200	7.95	7.04
2"	50	50	4-70xM8 xP1.25	230	150	165	125	102	20	18/4	12	M20x2.5	3	32	20	132	250	290	10.4	9.11
2-1/2"	65	65	4-70xM8 xP1.25	290	170	185	145	122	22	18/4	12	M20x2.5	3	31	18.5	157	320	500	16.35	12.6
3"	80	80	4-102xM10 xP1.5	310	180	200	160	138	24	18/8	16	M27x3.0	3	48	33	166	365	770	23.8	18.3
4"	100	100	4-102xM10 xP1.5	350	190	235	190	162	24	22/8	16	M27x3.0	3	48	33	182	365	1100	33.8	24.2