

2-PC Mounting Pad Full Port Ball Valve Screwed End



V2IM SIZE: 1/4" ~ 3"



STAINLESS STEEL
 AISI-316 (DIN 1.4408) (ASTM-A351-CF8M)
 AISI-304 (DIN 1.4308) (ASTM-A351-CF8)
CARBON STEEL
 S-45C (DIN 1.0619) (ASTM-A216-WCB)

FEATURES:

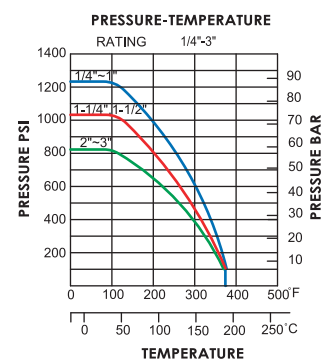
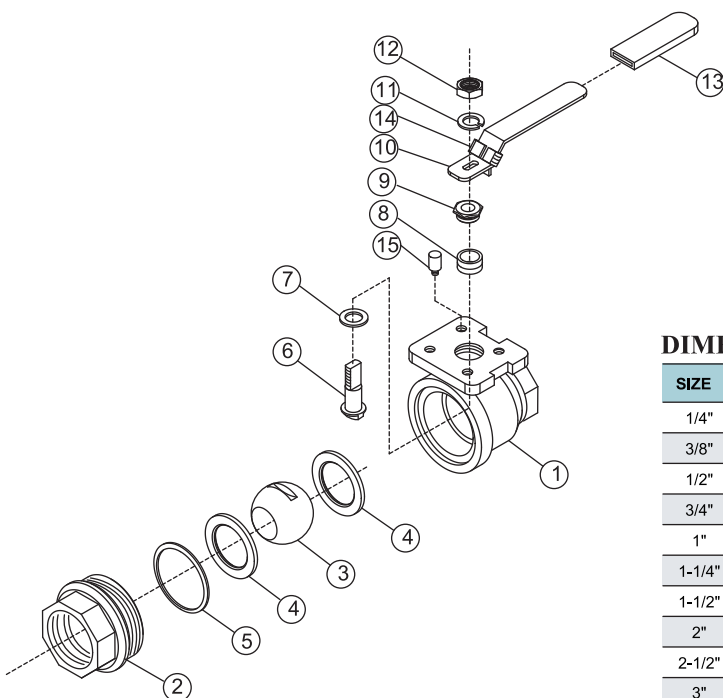
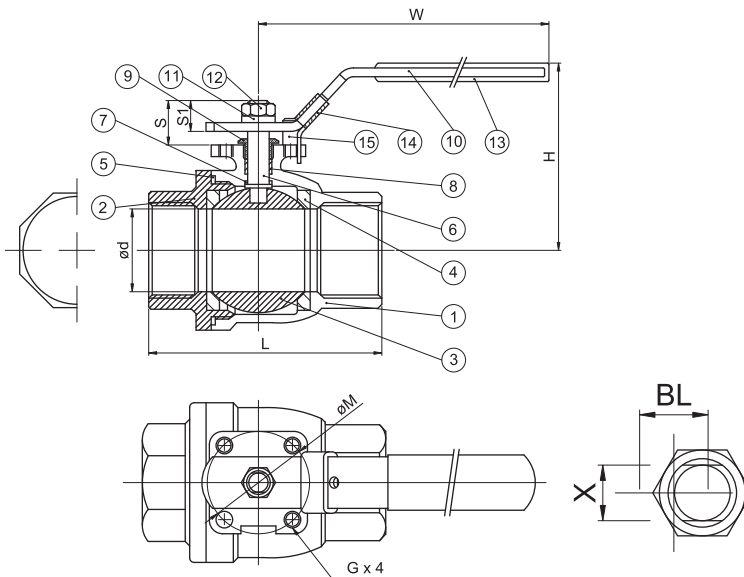
- *Pipe thread in accordance with ANSI B2.1, BS 21:1973, DIN 259/2999, ISO 228
- *Pressure rating: 800 PSI (55 BAR) / 1000 PSI (63 BAR)
- *Investment casting body and cap
- *Blow-out proof stem
- *ISO 5211 mounting pad
- *Lug body

OPTION:

- *Locking device

MATERIALS LIST

ITEM	PARTS	QTY	MATERIALS		
			316	304	WCB
1	BODY	1	ASTM-A351-CF8M	ASTM-A351-CF8	ASTM-A216-WCB
2	CAP	1	ASTM-A351-CF8M	ASTM-A351-CF8	ASTM-A216-WCB
3	BALL	1	ASTM-A351-CF8M	ASTM-A351-CF8	ASTM-A351-CF8
4	BALL SEAT	2	PTFE	PTFE	PTFE
5	JOINT GASKET	1	PTFE	PTFE	PTFE
6	STEM	1	AISI 316	AISI 304	AISI 304
7	THRUST WASHER	1	PTFE	PTFE	PTFE
8	STEM PACKING	2	PTFE	PTFE	PTFE
9	GLAND NUT	1	AISI 304	AISI 304	AISI 304
10	HANDLE	1	AISI 430	AISI 430	AISI 430
11	SPRING WASHER	1	AISI 304	AISI 304	AISI 304
12	STEM NUT	1	AISI 304	AISI 304	AISI 304
13	PLASTIC COVER	1	P.V.C	P.V.C	P.V.C
14	LOCK DEVICE	1	AISI 304	AISI 304	AISI 304
15	STOP PIN	1	AISI 304	AISI 304	AISI 304



DIMENSIONS

SIZE	Ød	L	H	W	S	S1	X	BL	ISO M	5211 G	CV FACTOR	TORQUE kgf-cm	UNITS: mm	kg
1/4"	11.6	49	50	105	15.2	10.3	5	5/16"	36	M5	6.6	40		0.25
3/8"	12.7	49	50	105	15.2	10.3	5	5/16"	36	M5	7.9	40		0.25
1/2"	15	56	52	105	15.2	10.3	5	5/16"	36	M5	11.2	54		0.32
3/4"	20	64	62	125	20.5	13.5	6.5	3/8"	36	M5	21	78		0.51
1"	25.4	78	75	160	23	15.6	8	7/16"	42	M5	35	106		0.86
1-1/4"	32	90	80	160	21.7	15.6	8	7/16"	42	M5	57	150		1.44
1-1/2"	38	104	100	190	30.1	16.9	9	1/2"	50	M6	80	200		2.03
2"	50.8	134	111	190	30.8	16.9	9	1/2"	50	M6	150	280		3.03
2-1/2"	65	160	136	245	41.5	30	12	3/4"	70	M8	265	480		6.0
3"	80	187	148	245	41.5	30	12	3/4"	70	M8	415	750		9.5