

V2IN SIZE: 1/4" ~ 4"



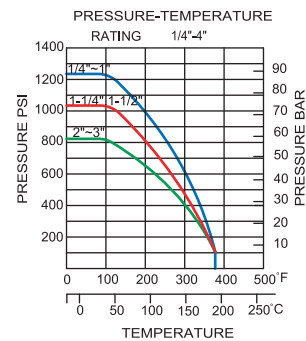
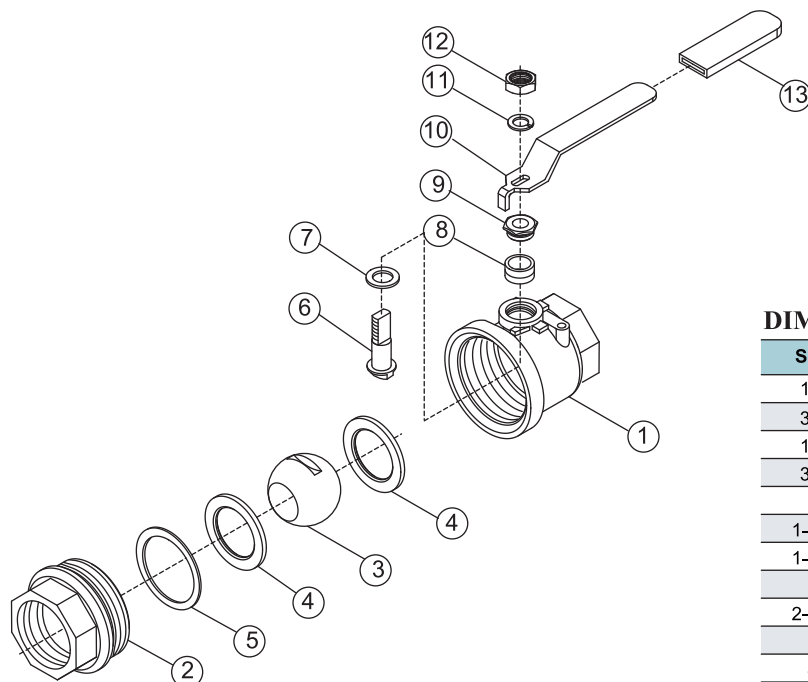
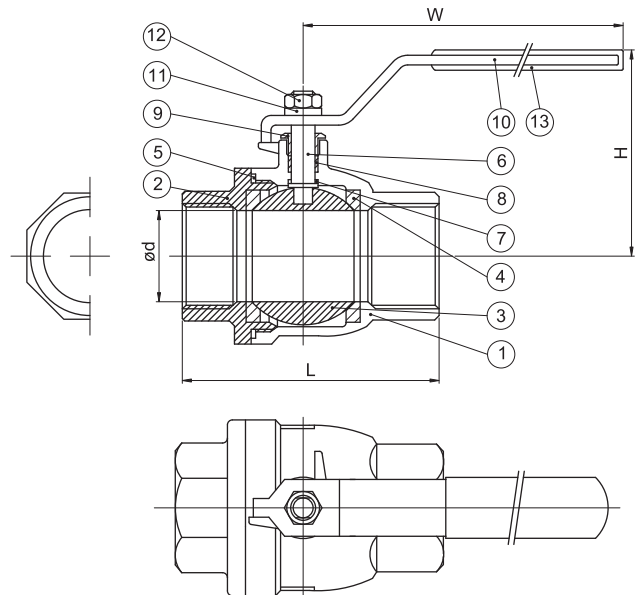
STAINLESS STEEL
 AISI-316 (DIN 1.4408) (ASTM-A351-CF8M)
 AISI-304 (DIN 1.4308) (ASTM-A351-CF8)
CARBON STEEL
 S-45C (DIN 1.0619) (ASTM-A216-WCB)

FEATURES:

- *Pipe thread in accordance with ANSI B2.1, BS 21:1973, DIN 259/2999, ISO 228
- *Pressure rating: 800 PSI (55 BAR) / 1000 PSI (63 BAR)
- *Investment casting body and cap
- *Blow-out proof stem
- *Lug body

MATERIALS LIST

ITEM	PARTS	QTY	MATERIALS		
			316	304	WCB
1	BODY	1	ASTM-A351-CF8M	ASTM-A351-CF8	ASTM-A216-WCB
2	CAP	1	ASTM-A351-CF8M	ASTM-A351-CF8	ASTM-A216-WCB
3	BALL	1	ASTM-A351-CF8M	ASTM-A351-CF8	ASTM-A351-CF8
4	BALL SEAT	2	PTFE	PTFE	PTFE
5	JOINT GASKET	1	PTFE	PTFE	PTFE
6	STEM	1	AISI 316	AISI 304	AISI 304
7	THRUST WASHER	1	PTFE	PTFE	PTFE
8	STEM PACKING	2	PTFE	PTFE	PTFE
9	GLAND NUT	1	AISI 304	AISI 304	AISI 304
10	HANDLE	1	AISI 430	AISI 430	AISI 430
11	SPRING WASHER	1	AISI 304	AISI 304	AISI 304
12	STEM NUT	1	AISI 304	AISI 304	AISI 304
13	PLASTIC	1	P.V.C	P.V.C	P.V.C



DIMENSIONS

SIZE	Ød	L	H	W	CV FACTOR	UNIT:mm	
						TORQUE kgf-cm	kgs
1/4"	11.6	49	50	98	6.6	40	0.25
3/8"	12.7	49	50	98	7.9	40	0.25
1/2"	15	56	52	98	11.2	54	0.32
3/4"	20	64	62	118	21	74	0.51
1"	25	78	75	143	35	104	0.86
1-1/4"	32	90	80	143	57	135	1.44
1-1/2"	38	104	100	173	80	180	2.03
2"	50	134	111	173	148	250	3.03
2-1/2"	65	160	136	223	265	480	6.0
3"	80	187	148	223	415	750	9.5
4"	100	240	173	308	780	1100	19