

**DIRECT MOUNTING PAD**

V3FH SIZE: 1/2" ~ 4"



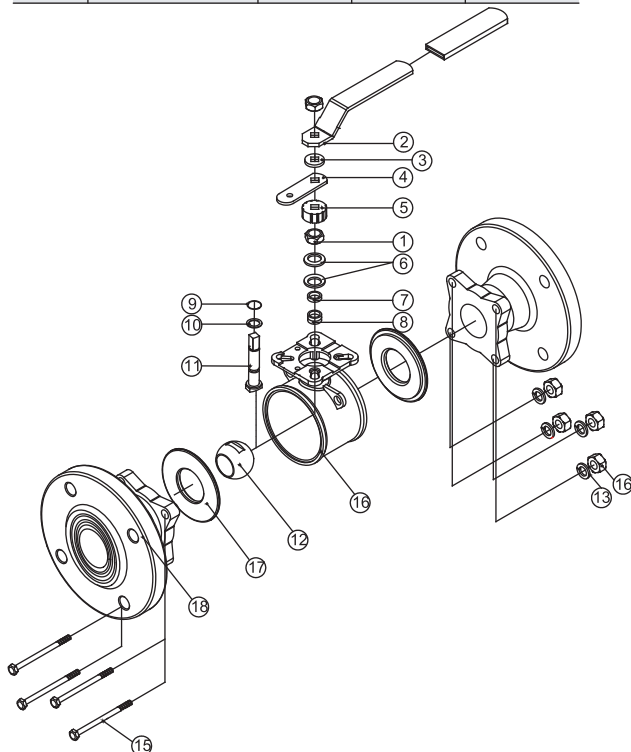
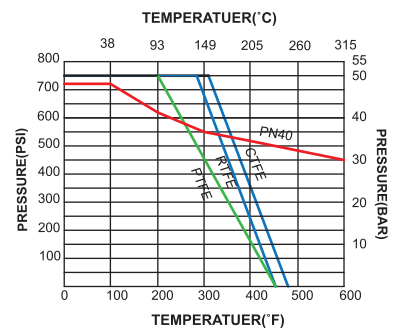
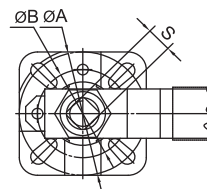
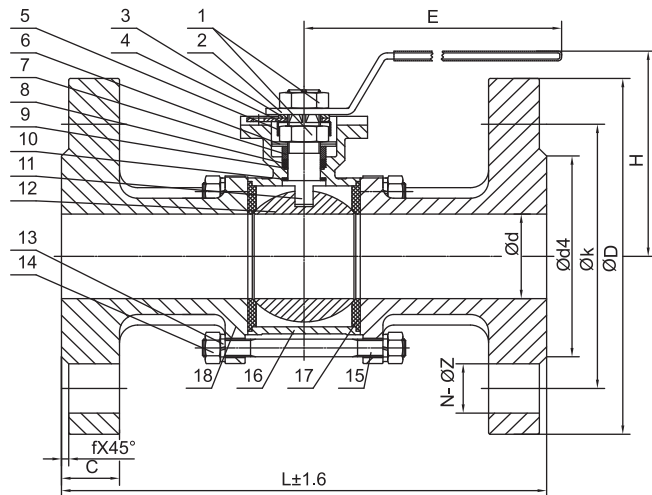
STAINLESS STEEL  
 AISI-316 (DIN 1.4408) (ASTM-A351-CF8M)  
 AISI-304 (DIN 1.4308) (ASTM-A351-CF8)

**FEATURES:**

- \*Flange: DIN 2635 PN40
- \*Face to face: DIN 3202 F1
- \*Pressure rating: PN40
- \*Investment casting body and cap
- \*Blow-out proof stem
- \*ISO 5211 direct mounting pad

**MATERIALS LIST**

ITEM	PART	QTY	MATERIALS	
			304	316
1	Nut	2	304	316
2	Handle	2	201	201
3	Metallic Gasket	1	304	316
4	Limit Stop	1	304	316
5	Stop-lock-cap	1	304	316
6	Belleville Washer	2	304	316
7	Stem Ring	1	304	316
8	Packing	2	PTFE	PTFE
9	O-Ring	1	NBR	NBR
10	Thrust Washer	1	PTFE	PTFE
11	Stem	1	304	316
12	Ball	1	304	316
13	Spring Washer	1/2"~3" x4pcs	304	316
14	Nut		304	316
15	Bolt	4" x6pcs	304	316
16	Body	1	CF8	CF8M
17	Seat	2	PTFE	PTFE
18	Cap	2	CF8	CF8M



**DIMENSIONS**

NOMINAL SIZE		d	d4	K	D	C	f	N-ØZ	L	H	E	A	B	S	UNIT:mm	
INCH	MM														kg	TORQUE kgf-cm
1/2"	15	15	45	65	95	14	2	4-Ø14	130	60	125	42	36	9	4.5	
3/4"	20	20	58	75	105	15	2	4-Ø14	150	64	125	42	36	9	7	
1"	25	25	68	85	115	16	2	4-Ø14	160	79.5	155	50	42	11	3.15	8.5
1-1/4"	32	32	78	100	140	17	2	4-Ø18	180	84	155	50	42	11	4.92	14.5
1-1/2"	40	38	88	110	150	18	3	4-Ø18	200	106	195	70	50	14	6.13	21
2"	50	49	102	125	165	20	3	4-Ø18	230	115.5	195	70	50	14	8.4	28
2-1/2"	65	62	122	145	185	22	3	8-Ø18	290	136	245	102	70	17	13.85	51
3"	80	76	138	160	200	23	3	8-Ø18	310	147	245	102	70	17	17.45	86
4"	100	96	162	190	235	24	3	8-Ø22	350	165	300	102	70	19	26.7	121