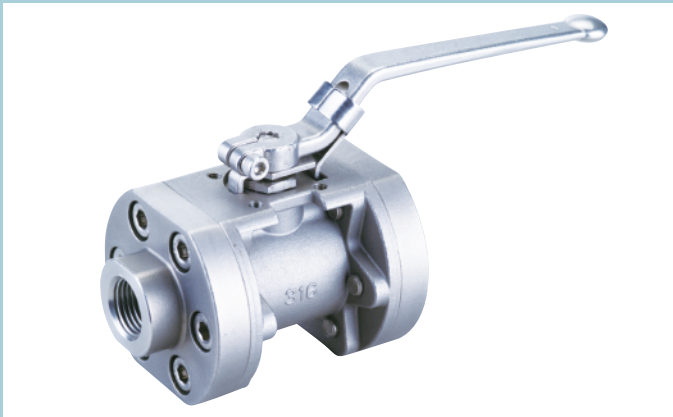


**HIGH PRESSURE ( 6000 PSI)**

V3HP SIZE: 1/4" ~ 2" **NEW**



**STAINLESS STEEL**  
 AISI-316 (DIN 1.4408) (ASTM-A351-CF8M)  
 AISI-304 (DIN 1.4308) (ASTM-A351-CF8)  
**CARBON STEEL**  
 S-45C (DIN 1.0619) (ASTM-A216-WCB)

**FEATURES:**

- \*Pipe thread in accordance with ANSI B2.1, BS 21:1973, DIN 259/2999, ISO 228
- \*In accordance with ANSI Class 2500 standard
- \*Investment casting body and cap
- \*Pressure rating: 6000 PSI (400 BAR)
- \*Blow-out proof stem
- \*ISO 5211 mounting pad
- \*Fire-safe design
- \*Screwed end / Butt weld end / Socket weld end
- \*Anti-static device

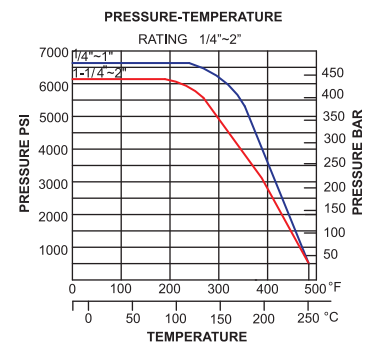
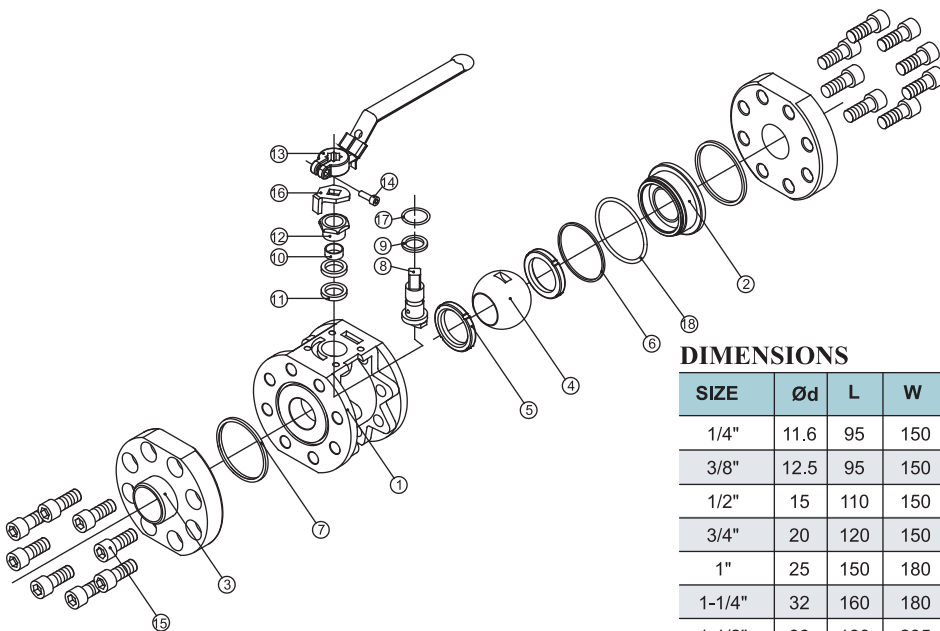
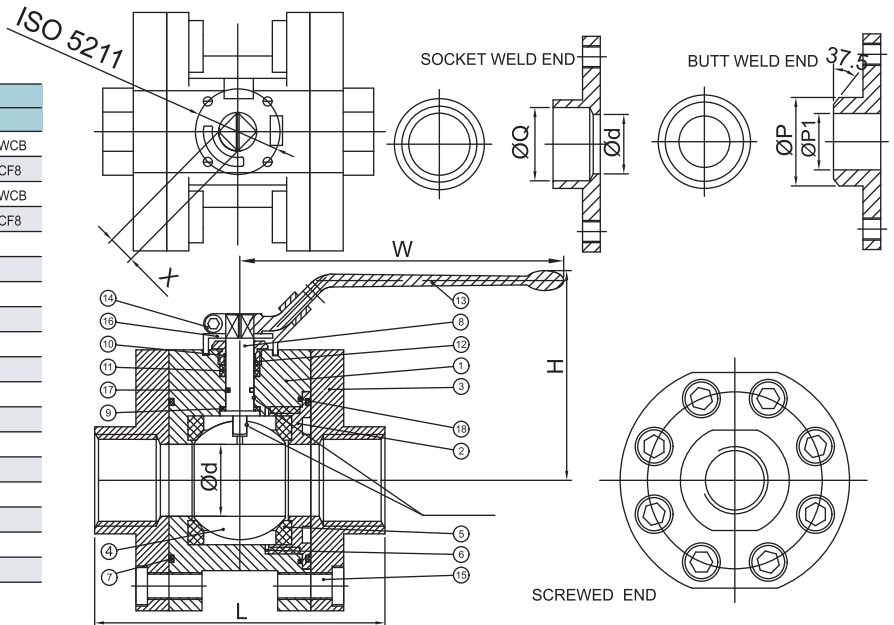
**OPTION:**

- \*Locking device

**MATERIALS LIST**

ITEM	PART	QTY	MATERIALS		
			316	304	WCB
1	BODY	1	ASTM-A351-CF8M	ASTM-A351-CF8	ASTM-A216-WCB
2	INSERT	1	ASTM-A351-CF8M	ASTM-A351-CF8	ASTM-A351-CF8
3	CAP	2	ASTM-A351-CF8M	ASTM-A351-CF8	ASTM-A216-WCB
4	BALL	1	ASTM-A351-CF8M	ASTM-A351-CF8	ASTM-A351-CF8
5	BALL SEAT	2	PEEK	PEEK	PEEK
6	GASKET	1	PTFE	PTFE	PTFE
7	GASKET 2	2	PTFE	PTFE	PTFE
8	STEM	1	AISI 316	AISI 304	AISI 304
9	THRUST WASHER	1	PTFE	PTFE	PTFE
10	BUSH	1	PTFE	PTFE	PTFE
11	STEM PACKING	2	PTFE	PTFE	PTFE
12	GLAND	1	AISI 304	AISI 304	AISI 304
13	HANDLE	1	AISI 304	AISI 304	AISI 304
14	HANDLE BOLT	1	AISI 304	AISI 304	AISI 304
15	BOLT	16 <small>(14"-3/4"-12)</small>	AISI 304	AISI 304	AISI 304
16	STOPPER	1	AISI 304	AISI 304	AISI 304
17	O-RING 1	1	VITON	VITON	VITON
18	O-RING 2	1	VITON	VITON	VITON

Anti static device 1/4"~1/2"x1 hole 3/4"~2" x2 holes



**DIMENSIONS**

SIZE	Ød	L	W	H	ISO5211	ØP	ØP1	ØQ	X	UNIT:mm
										TORQUE kgf-cm
1/4"	11.6	95	150	68	F 03	13.7	7.7	14.1	7.0	60
3/8"	12.5	95	150	68	F 03	17.1	10.7	17.6	7.0	75
1/2"	15	110	150	70	F 03	21.3	13.9	21.7	7.0	75
3/4"	20	120	150	75	F 03	26.7	18.9	27.1	7.0	150
1"	25	150	180	104	F 04	33.5	24.5	33.9	11	220
1-1/4"	32	160	180	108	F 05	42.2	32.4	42.6	11	250
1-1/2"	38	180	235	120	F 07	48.3	38.1	48.7	17	440
2"	50	200	235	130	F 07	60.3	49.3	60.7	17	550