

3-PC Mounting Pad Full Port Ball Valve



V3M SIZE: 1/4" ~ 4"



STAINLESS STEEL
 AISI-316 (DIN 1.4408) (ASTM-A351-CF8M)
 AISI-304 (DIN 1.4308) (ASTM-A351-CF8)
CARBON STEEL
 S-45C (DIN 1.0619) (ASTM-A216-WCB)

FEATURES:

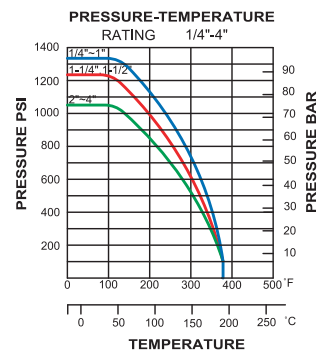
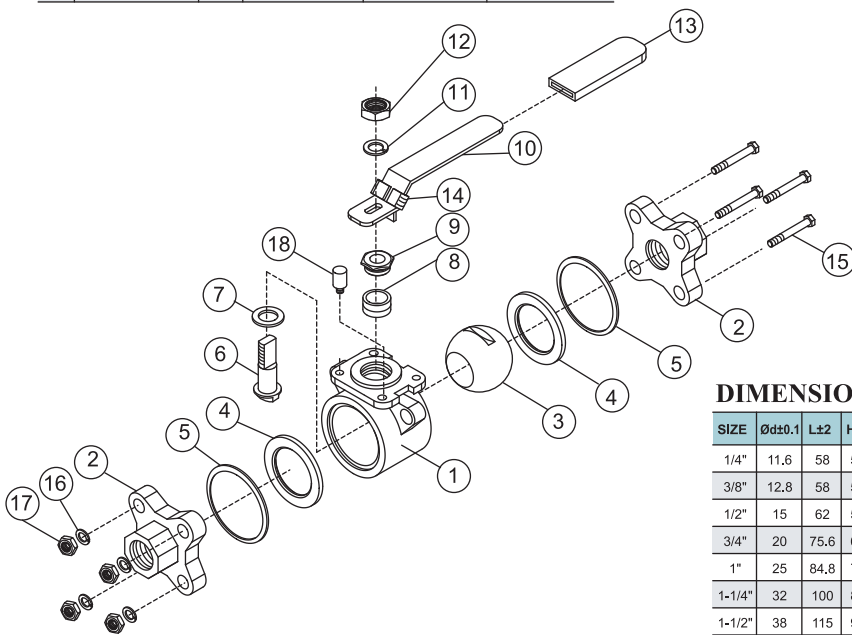
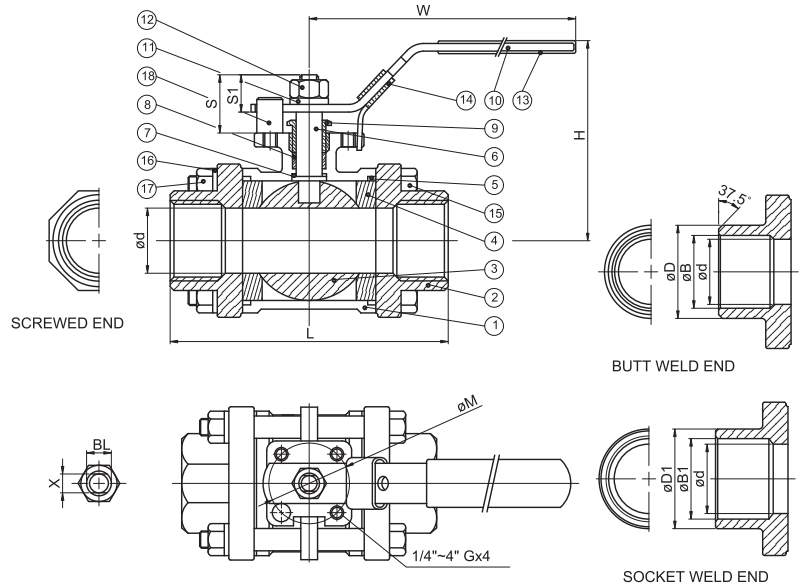
- *Pipe thread in accordance with ANSI B2.1, BS 21:1973, DIN 259/2999, ISO 228
- *Pressure rating: 1000 PSI (63 BAR)
- *Investment casting body and cap
- *Blow-out proof stem
- *ISO 5211 mounting pad
- *Screwed end / Butt weld end / Socket weld end
- *Lug body

OPTION:

- *Locking device
- *Anti-static device

MATERIALS LIST

ITEM	PARTS	QTY	MATERIALS		
			316	304	WCB
1	BODY	1	ASTM-A351-CF8M	ASTM-A216-CF8	ASTM-A216-WCB
2	CAP	2	ASTM-A351-CF8M	ASTM-A216-CF8	ASTM-A216-WCB
3	BALL	1	ASTM-A351-CF8M	ASTM-A351-CF8	ASTM-A351-CF8
4	BALL SEAT	2	PTFE	PTFE	PTFE
5	JOINT GASKET	2	PTFE	PTFE	PTFE
6	STEM	1	AISI 316	AISI 304	AISI 304
7	THRUST WASHER	1	PTFE	PTFE	PTFE
8	STEM PACKING	2	PTFE	PTFE	PTFE
9	GLAND NUT	1	AISI 304	AISI 304	AISI 304
10	HANDLE	1	AISI 430	AISI 430	AISI 430
11	STEM WASHER	1	AISI 304	AISI 304	AISI 304
12	STEM NUT	1	AISI 304	AISI 304	AISI 304
13	PLASTIC COVER	1	P.V.C	P.V.C	P.V.C
14	LOCK DEVICE	1	AISI 430	AISI 430	AISI 430
15	BOLT	4(3",4"x6 PCS)	AISI 304	AISI 304	AISI 304
16	SPRING WASHER	4(3",4"x6 PCS)	AISI 304	AISI 304	AISI 304
17	HEX NUT	4(3",4"x6 PCS)	AISI 304	AISI 304	AISI 304
18	STOP PIN	1	AISI 304	AISI 304	AISI 304



DIMENSIONS

SIZE	DIMENSIONS											UNIT:mm					
	Ød±0.1	L±2	H±5	W ₁₀	S±1	S1±1	ØB±0.1	ØB1±0.1	ØD	ØD1	X±0.1	BL	ISO 5211 ØM	G	Cv FACTOR	TORQUE kgf-cm	KGS
1/4"	11.6	58	54	110	11	7.0	12	14.1	18	19	5.0	5/16"	36	M5	6.6	40	0.45
3/8"	12.8	58	54	110	11	7.0	14	17.6	18	22.5	5.0	5/16"	36	M5	7.9	40	0.43
1/2"	15	62	58	110	13.5	8.8	17.1	21.7	22	27	5.0	5/16"	36	M5	11.2	54	0.56
3/4"	20	75.6	63	123	18.3	12.5	22.5	27.1	27.5	33	6.5	3/8"	36	M5	21	78	0.76
1"	25	84.8	77	152	21.5	15.6	28	33.8	33.5	40	8.0	7/16"	42	M5	35	106	1.18
1-1/4"	32	100	82	152	23	15.6	35.5	42.6	44	48.8	8.0	7/16"	42	M5	57	150	1.75
1-1/2"	38	115	94	163	26	16.9	43	48.7	50	55	9.0	1/2"	50	M6	80	200	2.54
2"	50	132	102	163	24	16.9	53	61.1	61.5	67.2	9.0	1/2"	50	M6	150	280	3.66
2-1/2"	65	165	130	238	41.2	29	65	76.9	76	86.4	12	3/4"	70	M8	265	500	7.73
3"	80	183	145	238	38.5	29	80	89.5	92	103	12	3/4"	102	M10	415	770	13
4"	100	231.4	170	308	49	36.6	100	115.5	115	130	16	1"	102	M10	780	1100	23