

3-PC Mounting Pad Full Port Ball Valve



DIRECT MOUNTING PAD

V3MH SIZE: 1/4" ~ 3"



STAINLESS STEEL
 AISI-316 (DIN 1.4408) (ASTM-A351-CF8M)
 AISI-304 (DIN 1.4308) (ASTM-A351-CF8)
 CARBON STEEL
 S-45C (DIN 1.0619) (ASTM-A216-WCB)

FEATURES:

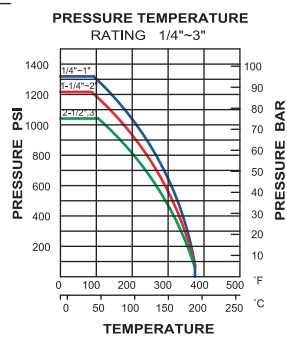
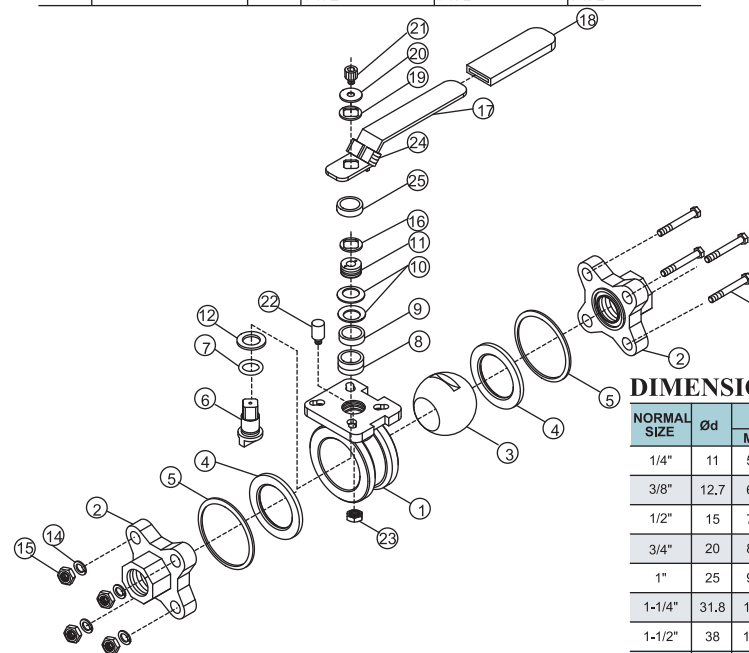
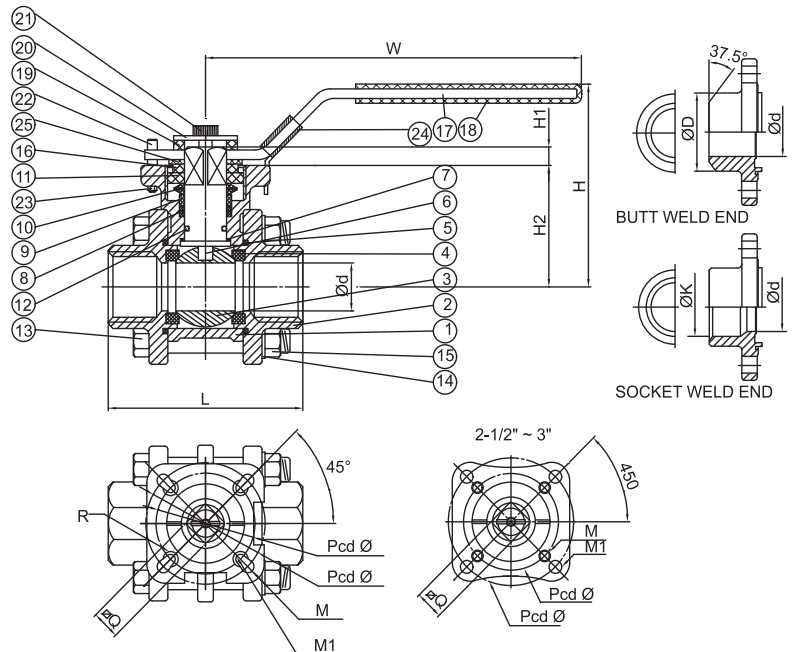
- *Pipe thread in accordance with ANSI B2.1, BS 21:1973, DIN 259/2999, ISO 228
- *Pressure rating: 1000 PSI (63 BAR)
- *Investment casting body and cap
- *Blow-out proof stem
- *ISO 5211 mounting pad
- *Fire-safe design
- *Screwed end / Butt weld end / Socket weld end
- *Lug body

OPTION:

- *Locking device
- *Din standard M3 length / BV design length

MATERIALS LIST

ITEM	PARTS	QTY	MATERIALS		
			316	304	WCB
1	BODY	1	ASTM-A351-CF8M	ASTM-A351-CF8	ASTM-A216-WCB
2	CAP	2	ASTM-A351-CF8M	ASTM-A351-CF8	ASTM-A216-WCB
3	BALL	1	ASTM-A351-CF8M	ASTM-A351-CF8	ASTM-A351-CF8
4	BALL SEAT	2	PTFE	PTFE	PTFE
5	JOINT GASKET	2	PTFE	PTFE	PTFE
6	STEM	1	AISI 316	AISI 304	AISI 304
7	THRUST WASHER	1	PTFE	PTFE	PTFE
8	STEM PACKING	2	PTFE	PTFE	PTFE
9	HIGH WASHER	1	AISI 304	AISI 304	AISI 304
10	BELLEVILLE WASHER	2	AISI 301	AISI 301	AISI 301
11	INSERT CAP	1	AISI 304	AISI 304	AISI 304
12	O-RING	1	VITON	VITON	VITON
13	BOLT	4 (2-1/2", 3" x 6)	AISI 304	AISI 304	AISI 304
14	SPRING WASHER	4 (2-1/2", 3" x 6)	AISI 304	AISI 304	AISI 304
15	HEX NUT	4 (2-1/2", 3" x 6)	AISI 304	AISI 304	AISI 304
16	SQUARE WASHER	1	AISI 304	AISI 304	AISI 304
17	HANDLE	1	AISI 304	AISI 304	AISI 304
18	PLASTIC COVER	1	P.V.C	P.V.C	P.V.C
19	SQUARE WASHER	1	AISI 304	AISI 304	AISI 304
20	WASHER	1	AISI 304	AISI 304	AISI 304
21	HANDLE NUT	1	AISI 304	AISI 304	AISI 304
22	STOP PIN	1	AISI 304	AISI 304	AISI 304
23	HEX NUT	1	AISI 304	AISI 304	AISI 304
24	LOCK DEVICE	1	AISI 304	AISI 304	AISI 304
25	HANDLE SHIM	1	PTFE	PTFE	PTFE



DIMENSIONS

NORMAL SIZE	Ød	L±2		H±3	H1±1	H2	W ⁺⁰	ISO-5211					R	ØK	Cv FACTOR	TORQUE kgf-cm	KGS
		M3	BV					Pcd Ø	Q	ØM	ØM1	ØD					
1/4"	11	55	55	68	8.0	37	117	F03 Ø36 F04 Ø42	9.0	R3.0	R3.0	Ø20	4.3	Ø14	6.6	40	0.46
3/8"	12.7	60	55	68	8.0	37	117	F03 Ø36 F04 Ø42	9.0	R3.0	R3.0	Ø20	4.3	Ø17.7	7.9	40	0.48
1/2"	15	75	60	70	8.5	38	117	F03 Ø36 F04 Ø42	9.0	R3.0	R3.0	Ø23	4.3	Ø21.7	11.2	54	0.54
3/4"	20	80	75	69	9.0	41.7	127	F03 Ø36 F04 Ø42 F05 Ø50	11	R3.0	R3.0	Ø28	4.3	Ø27.1	21	74	0.82
1"	25	90	80	78	9.0	44.4	170	F04 Ø42 F05 Ø50	11	R3.5	R3.0	Ø41	5.5	Ø33.5	34	104	1.1
1-1/4"	31.8	110	95	89	10.5	54	170	F04 Ø42 F05 Ø50	14	R3.5	R3.0	Ø41	5.5	Ø42.8	57	135	1.72
1-1/2"	38	120	105	100	10.5	59.5	182	F05 Ø50 F07 Ø70	14	R4.5	R3.5	Ø49	5.5	Ø48.7	80	180	2.3
2"	50	140	120	107	10.5	67	182	F05 Ø50 F07 Ø70 F10 Ø102	14	R4.5	R3.5	Ø62	5.5	Ø61.1	148	250	3.5
2-1/2"	65	185	160	153	18	102	333	F07 Ø70 F10 Ø102	17	M10	Ø11	Ø76	Ø73.8	Ø73.8	265	400	12.38
3"	80	205	180	163	18	112.5	333	F07 Ø70 F10 Ø102	17	M10	Ø11	Ø92	Ø89.8	Ø89.8	415	660	19.83