

V3N SIZE: 1/4" ~ 4"



STAINLESS STEEL
 AISI-316 (DIN 1.4408) (ASTM-A351-CF8M)
 AISI-304 (DIN 1.4308) (ASTM-A351-CF8)
CARBON STEEL
 S-45C (DIN 1.0619) (ASTM-A216-WCB)

FEATURES:

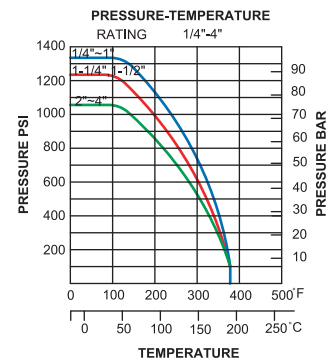
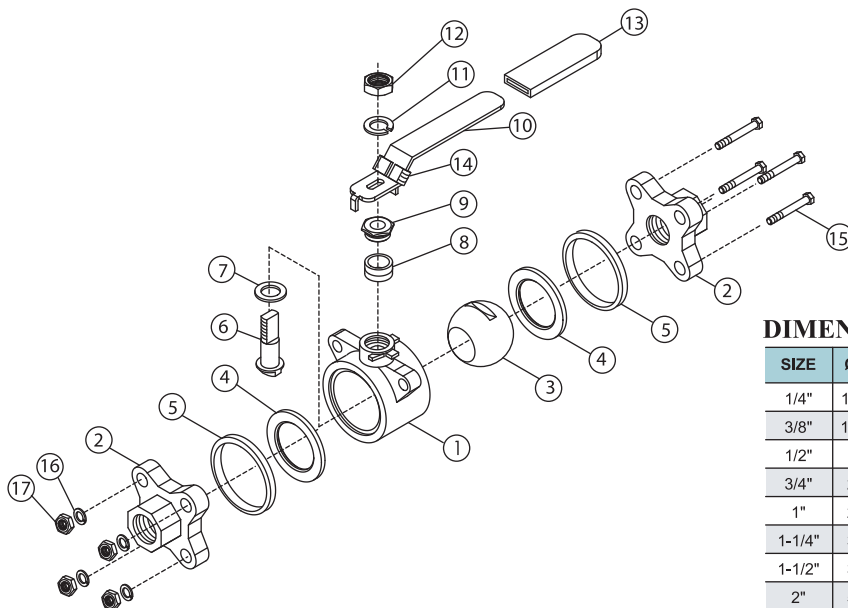
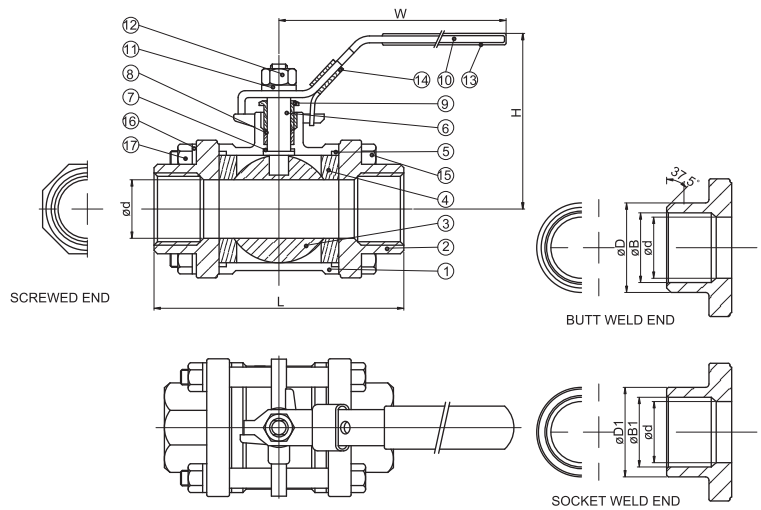
- *Pipe thread in accordance with ANSI B2.1, BS 21:1973, DIN 259/2999, ISO 228
- *Pressure rating: 1000 PSI (63 BAR)
- *Investment casting body and cap
- *Blow-out proof stem
- *Screwed end / Butt weld end / Socket weld end
- *Lug body

OPTION:

- *Locking device
- *Anti-static device

MATERIALS LIST

ITEM	PARTS	QTY	MATERIALS		
			316	304	WCB
1	BODY	1	ASTM-A351-CF8M	ASTM-A351-CF8	ASTM-A216-WCB
2	CAP	2	ASTM-A351-CF8M	ASTM-A351-CF8	ASTM-A216-WCB
3	BALL	1	ASTM-A351-CF8M	ASTM-A351-CF8	ASTM-A351-CF8
4	BALL SEAT	2	PTFE	PTFE	PTFE
5	JOINT GASKET	2	PTFE	PTFE	PTFE
6	STEM	1	AISI 316	AISI 304	AISI 304
7	THRUST WASHER	1	PTFE	PTFE	PTFE
8	STEM PACKING	2	PTFE	PTFE	PTFE
9	GLAND NUT	1	AISI 304	AISI 304	AISI 304
10	HANDLE	1	AISI 430	AISI 430	AISI 430
11	STEM WASHER	1	AISI 304	AISI 304	AISI 304
12	STEM NUT	1	AISI 304	AISI 304	AISI 304
13	PLASTIC COVER	1	P.V.C	P.V.C	P.V.C
14	LOCK DEVICE	1	AISI 430	AISI 430	AISI 430
15	BOLT	4(3",4"x6 PCS)	AISI 304	AISI 304	AISI 304
16	SPRING WASHER	4(3",4"x6 PCS)	AISI 304	AISI 304	AISI 304
17	HEX NUT	4(3",4"x6 PCS)	AISI 304	AISI 304	AISI 304



DIMENSIONS

SIZE	Ød	L±2	H±5	W±0	ØD	ØD1	ØB±0.1	ØB1±0.1	Cv FACTOR	TORQUE kgf-cm	KGS	UNIT:mm
1/4"	11.6	58	56	98	17.6	19	12	14.1	6.6	40	0.43	
3/8"	12.8	58	56	98	17.6	22.5	14	17.6	7.9	40	0.41	
1/2"	15	62	56	98	21.5	27	17.1	21.7	11.2	54	0.54	
3/4"	20	75.6	70	118	27.1	33	22.5	27.1	21	78	0.73	
1"	25	84.8	76	143	34	40	28	33.8	35	106	1.13	
1-1/4"	32	100	81	143	42.5	48.8	35.5	42.6	57	150	1.67	
1-1/2"	38	115	92	173	49	55	43	48.7	80	200	2.43	
2"	50	132	103	173	60.8	67.2	53	61.1	150	280	3.5	
2-1/2"	65	165	130	223	76.2	86.4	65	76.9	265	500	7.4	
3"	80	183	141	223	92	103	80	89.5	415	770	12.4	
4"	100	231.4	170	308	116	130	100	115.5	780	1100	22	