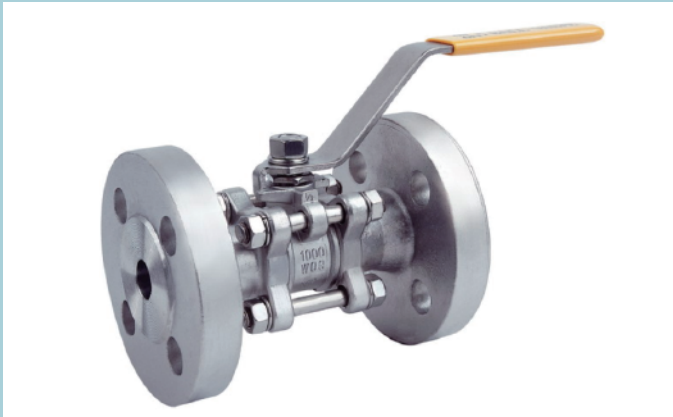


3-PC Full Port Ball Valve Flange End



V3NF-PN16 & PN40 SIZE: 1/2" ~ 4"



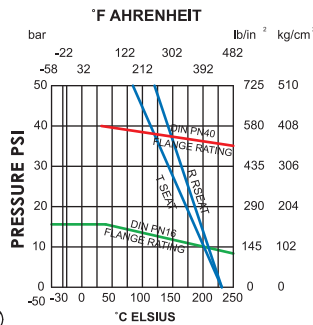
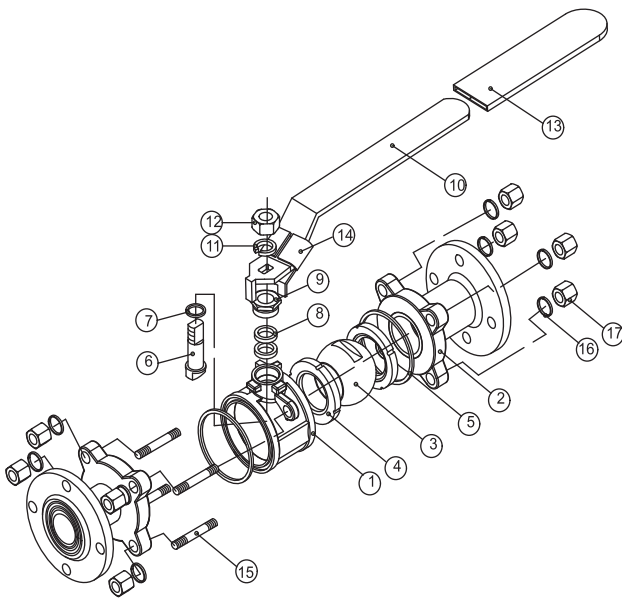
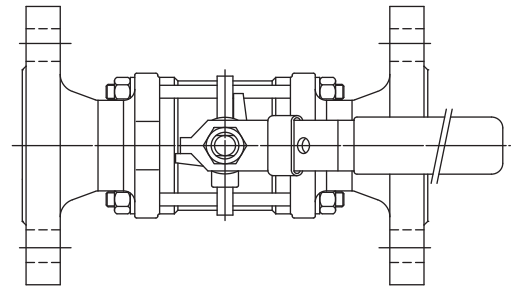
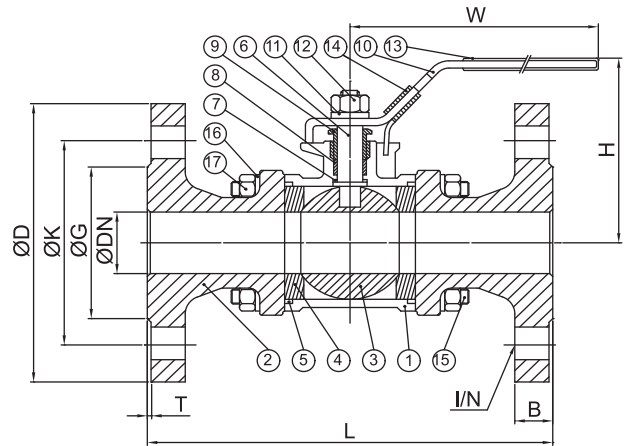
STAINLESS STEEL
 AISI-316 (DIN 1.4408) (ASTM-A351-CF8M)
 AISI-304 (DIN 1.4308) (ASTM-A351-CF8)
CARBON STEEL
 S-45C (DIN 1.0619) (ASTM-A216-WCB)

FEATURES:
 *Flange: DIN 2633 PN16 / DIN 2635 PN40
 *Face to face: DIN 3202 F1
 *Pressure rating: PN16 / PN40
 *Investment casting body and cap
 *Blow-out proof stem

OPTION:
 *Locking device
 *Anti-static device
 *ISO 5211 Mounting Pad

MATERIALS LIST

ITEM	PARTS	QTY	MATERIALS		
			316	304	WCB
1	BODY	1	ASTM-A351-CF8M	ASTM-A351-CF8	ASTM-A216-WCB
2	FLANGED END CAP	2	ASTM-A351-CF8M	ASTM-A351-CF8	ASTM-A216-WCB
3	BALL	1	ASTM-A351-CF8M	ASTM-A351-CF8	ASTM-A351-CF8
4	BALL SEATS	2	PTFE	PTFE	PTFE
5	JOINT GASKET	2	PTFE	PTFE	PTFE
6	STEM	1	AISI 316	AISI 304	AISI 304
7	THRUST WASHER	1	PTFE	PTFE	PTFE
8	STEM PACKING	2	PTFE	PTFE	PTFE
9	GLAND NUT	1	AISI 304	AISI 304	AISI 304
10	HANDLE	1	AISI 304	AISI 304	AISI 304
11	STEM WASHER	1	AISI 304	AISI 304	AISI 304
12	STEM NUT	1	AISI 304	AISI 304	AISI 304
13	PLASTIC COVER	1	P.V.C	P.V.C	P.V.C
14	LOCK DEVICE	1	AISI 304	AISI 304	AISI 304
15	BOLT	4(3",4" x 6 pcs)	AISI 304	AISI 304	AISI 304
16	SPRING WASHER	8(3",4" x 12 pcs)	AISI 304	AISI 304	AISI 304
17	HEX NUT	8(3",4" x 12 pcs)	AISI 304	AISI 304	AISI 304



DIMENSIONS

NOMINAL SIZE		L ^{±2}	DIN-PN16				DIN-PN40				T	H ^{±3}	W ^{±0}	Cv FACTOR	TORQUE kgf-cm	KGS PN16	KGS PN40		
INCH	MM		F1	ØD	ØK	ØG	B	I/N	ØD	ØK								ØG	B
1/2"	15	130	95	65	45	14	14/4	95	65	45	16	14/4	2	79	135	11.2	54	1.8	2.2
3/4"	20	150	105	75	58	16	14/4	105	75	58	18	14/4	2	83	160	21	78	2.2	3.0
1"	25	160	115	85	68	16	14/4	115	85	68	18	14/4	2	96	177	35	106	3.3	3.8
1 1/4"	32	180	140	100	78	16	18/4	140	100	78	18	18/4	2	102	177	57	150	5.0	6.0
1 1/2"	40	200	150	110	88	16	18/4	150	110	88	18	18/4	3	116	191	80	200	6.1	6.9
2"	50	230	165	125	102	18	18/4	165	125	102	20	18/4	3	123	191	150	280	8.4	9.7
2 1/2"	65	290	185	145	122	18	18/4	185	145	122	22	18/8	3	164	265	265	510	12.2	15
3"	80	310	200	160	138	20	18/8	200	160	138	24	18/8	3	174	265	415	780	19.8	21.3
4"	100	350	220	180	158	20	18/8	235	190	162	24	22/8	3	200	304	780	1130	30.3	32.2