

V3WAYM SIZE: 1/4" ~ 2"



STAINLESS STEEL

AISI-316 (DIN 1.4408) (ASTM-A351-CF8M)

AISI-304 (DIN 1.4308) (ASTM-A351-CF8)

FEATURES:

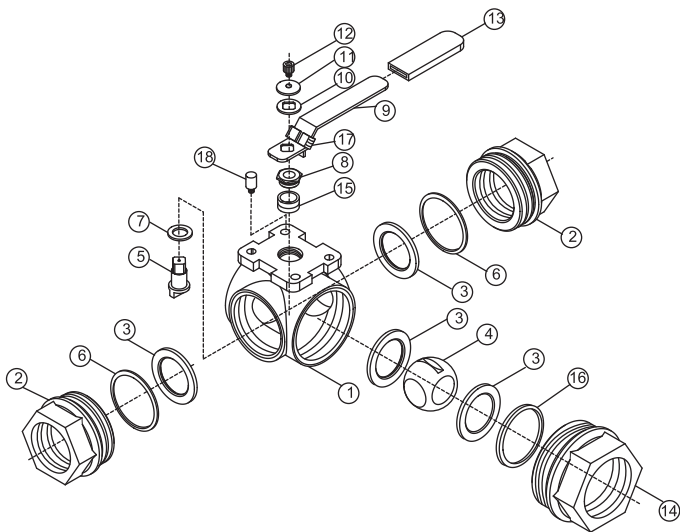
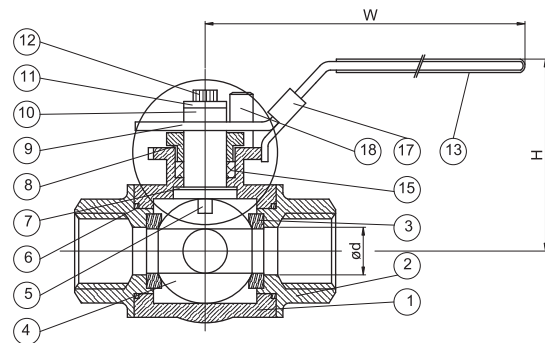
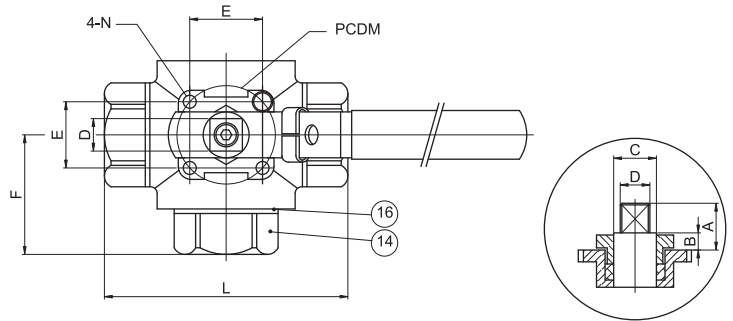
- *Pipe thread in accordance with ANSI B2.1, BS 21:1973, DIN 259/2999, ISO 228
- *Pressure rating: 1000 PSI (63 BAR)
- *Investment casting body and cap
- *Blow-out proof stem
- *ISO 5211 mounting pad
- *Reduced port
- *Lug body
- *L-port / T-port

OPTION:

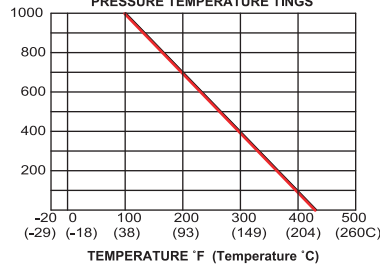
- *Locking device
- *Anti-static device
- *No mounting pad

MATERIALS LIST

ITEM	PART	QTY	MATERIALS		
			316	304	WCB
1	BODY	1	ASTM-A351-CF8M	ASTM-A351-CF8	ASTM-A216-WCB
2	END CAP	2	ASTM-A351-CF8M	ASTM-A351-CF8	ASTM-A216-WCB
3	BALL SEAT	4	PTFE	PTFE	PTFE
4	BALL	1	ASTM-A351-CF8M	ASTM-A351-CF8	ASTM-A351-CF8
5	STEM	1	AISI 316	AISI 304	AISI 304
6	END SEALS	2	PTFE	PTFE	PTFE
7	THRUST WASHER	1	PTFE	PTFE	PTFE
8	GLAND NUT	1	AISI 304	AISI 304	AISI 304
9	HANDLE	1	AISI304	AISI 304	AISI 304
10	HANDLE WASHER	1	AISI 304	AISI 304	AISI 304
11	WASHER	1	AISI 304	AISI 304	AISI 304
12	HANDLE NUT	1	AISI 304	AISI 304	AISI 304
13	HANDLE SLEEVE	1	P.V.C	P.V.C	P.V.C
14	END CAP	1	ASTM-A351-CF8M	ASTM-A351-CF8	ASTM-A216-WCB
15	STEM PACKING	2	PTFE	PTFE	PTFE
16	END SEALS	1	PTFE	PTFE	PTFE
17	LOCK	1	AISI 304	AISI 304	AISI 304
18	STOP RING	1	AISI 304	AISI 304	AISI 304



PRESSURE TEMPERATURE TINGS



TYPE	1	2	3	4
L	1/3 2	1/3 2	1/3 2	1/3 2
T	1/3 2	1/3 2	1/3 2	1/3 2

DIMENSIONS

UNIT:mm

SIZE	Ød	L	E	B	D	C	A	F	W	H	M	N	TORQUE Kgf-cm	CV FACTOR	KGS
1/4"	11.0	64	29.7	4.0	9.0	12.7	10.0	32	132.0	58	42.0	M5x0.8	68	7.8	0.54
3/8"	11.0	64	29.7	4.0	9.0	12.7	10.0	32	132.0	58	42.0	M5x0.8	68	7.8	0.51
1/2"	12.7	75	29.7	6.5	9.0	12.7	12.5	36	132.0	65	42.0	M5x0.8	68	9.5	0.67
3/4"	16.0	84	35.4	8.0	10.7	15.0	15.5	42	180.0	82	50.0	M6x1.0	105	14.0	1.25
1"	20.0	101	35.4	9.5	10.7	15.0	17.0	50	180.0	90	50.0	M6x1.0	196	26.0	1.67
1 1/4"	25.0	119	35.4	9.5	10.7	15.0	17.0	59	180.0	95	50.0	M6x1.0	266	43.0	2.35
1 1/2"	32.0	130	49.5	8.0	14.0	20.0	19.0	62	232.0	101	70.0	M8x1.25	363	70.0	3.7
2"	38.0	148.5	49.5	8.0	14.0	20.0	19.0	72	232.0	109	70.0	M8x1.25	500	102.0	5.69