

V3WMH SIZE: 1/4" ~ 4" **HOT**



**DIRECT MOUNTING PAD 2000 PSI & 3000 PSI**

STAINLESS STEEL  
 AISI-316 (DIN 1.4408) (ASTM-A351-CF8M)  
 AISI-304 (DIN 1.4308) (ASTM-A351-CF8)  
 CARBON STEEL  
 S-45C (DIN 1.0619) (ASTM-A216-WCB)

**FEATURES:**

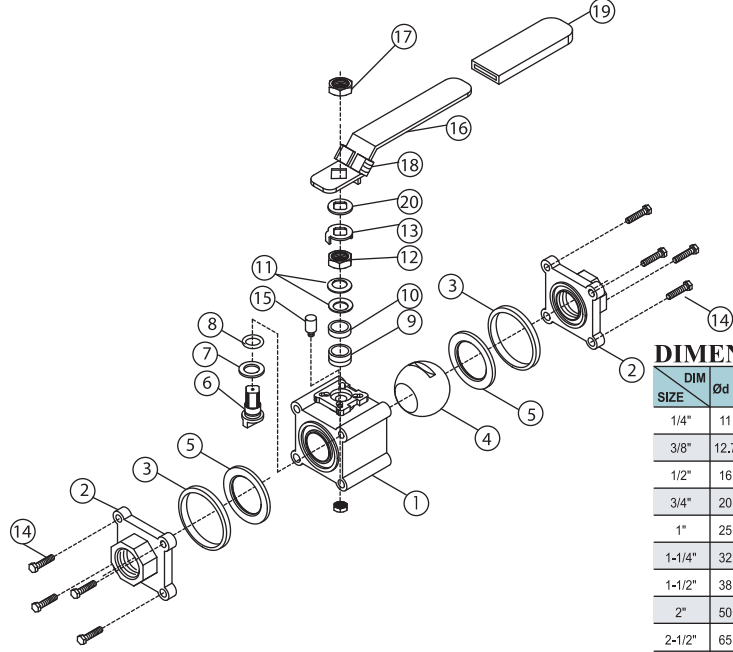
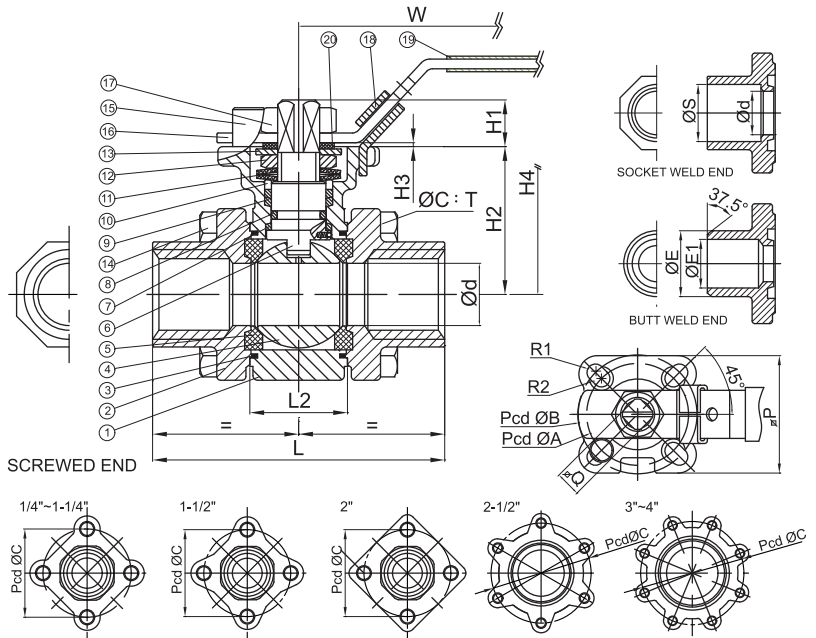
- \*Pipe thread in accordance with ANSI B2.1, BS 21:1973, DIN 259/2999, ISO 228
- \*Pressure rating: 2000 PSI (130 BAR) / 3000 PSI (200 BAR)
- \*Investment casting body and cap
- \*Blow-out proof stem
- \*ISO 5211 direct mounting pad
- \*Fire-safe design
- \*Anti-static device
- \*Screwed end / Butt weld end / Socket weld end
- \*Lug body

**OPTION:**

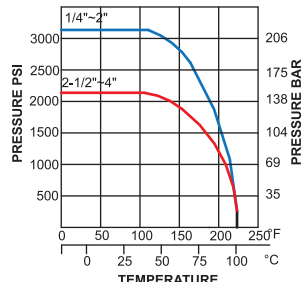
- \*Din standard M3 length / BV design length
- \*Reduced port
- \*No fire-safe design

**MATERIALS LIST**

ITEM	PARTS	QTY	MATERIALS			
			316	304	WCB	
1	BODY	1	ASTM-A351-CF8M	ASTM-A351-CF8	ASTM-A216-WCB	
2	END CAP	2	ASTM-A351-CF8M	ASTM-A351-CF8	ASTM-A216-WCB	
3	JOINT GASKET	2	Graphite	Graphite	Graphite	
4	SOLID BALL	1	ASTM-A351-CF8M	ASTM-A351-CF8	ASTM-A351-CF8	
5	BALL SEAT	2	POM	POM	POM	
6	STEM	1	AISI 316	AISI 304	AISI 304	
7	THRUST WASHER	1	MG1431	MG1431	MG1431	
8	O-RING	1	VITON	VITON	VITON	
9	STEM PACKING	2	Graphite	Graphite	Graphite	
10	STEM RING	1	AISI 304	AISI 304	AISI 304	
11	BELLEVILLE WASHER	2	AISI 301	AISI 301	AISI 301	
12	STEM NUT	1	AISI 304	AISI 304	AISI 304	
13	SADDLE WASHER	1	AISI 304	AISI 304	AISI 304	
14	HEX BOLT	1/4"-2"	AISI 304	AISI 304	AISI 304	
		2-1/2"				8
		3"-4"				16
15	STOP PIN	1	AISI 304	AISI 304	AISI 304	
16	HANDLE	1	AISI 304	AISI 304	AISI 304	
17	HANDLE NUT	1	AISI 304	AISI 304	AISI 304	
18	LOCKING DEVICE	1	AISI 304	AISI 304	AISI 304	
19	PLASTIC COVER	1	P.V.C	P.V.C	P.V.C	
20	SQUARE WASHER	1	AISI 304	AISI 304	AISI 304	



**PRESSURE-TEMPERATURE RATING 1/4" - 4"**



**DIMENSIONS**

DIM	SIZE	Ød	L2				L1±1	H2	H3	H4±3	ISO-5211				UNIT:mm							
			L_SD	L_SW	L_BW	L					ØPcd	Q	R1	R2	ØE	ØE1	ØS	ØC	T	Pcd ØC	W+0 -10	TORQUE kgf-cm
1/4"	11	65	65	70	22.7	11	34	68	F03/036	9.0	Ø6.0	—	18	12	14.1	37.5	6.5	M6	40	117	48	0.52
			65	70	22.7	11	34															
3/8"	12.7	65	65	70	22.7	11	34	68	F03/036	9.0	Ø6.0	—	18	14	17.6	37.5	6.5	M6	40	117	48	0.55
			65	70	22.7	11	34															
1/2"	16	75	75	75	24	11	38	72	F03/036	9.0	R3	R3	22	17.1	21.7	41.5	6.5	M6	44	117	74	0.64
			75	75	24	11	38															
3/4"	20	80	80	80	28	14	43	79	F03/036	11	R3	R3	27.5	22.5	27.1	41.5	8.4	M8	53.4	127	137	1.03
			80	80	28	14	43															
1"	25	90	90	100	34	12	50	85	F04/042	11	R3	R3.5	33.5	28	33.8	50.4	8.4	M8	65	170	200	2.25
			90	100	34	12	50															
1-1/4"	32	110	110	110	44	12	55	88	F04/042	11	R3	R3.5	44	33.5	44	50.4	10.6	M10	77	170	270	2.32
			110	110	44	12	55															
1-1/2"	38	120	120	125	53	16	65	105	F05/050	14	R3.5	R4.5	50	43	50	66.5	10.6	M10	93	182	350	3.81
			120	125	53	16	65															
2"	50	140	140	150	65	16	75	114	F05/050	14	R3.5	R4.5	61.5	53	61.5	66.5	10.6	M10	122	182	500	6.19
			140	150	65	16	75															
2-1/2"	65	185	185	185	74.6	28	103	153	F10/0102	17	R5.5	R4.5	76	69	76.9	90	10.6	M12	140	333	700	10.71
			185	185	74.6	28	103															
3"	80	205	205	205	87	28	113	185	F07/070	17	R5.5	R4.5	92	82	89.8	90	10.6	M12	160	333	900	14.22
			205	205	87	28	113															
4"	100	240	240	240	112.5	40	113	205	F12/0125	22	R5.5	R6.5	115	106	115.4	113	16.6	5/8"	210	333	1200	28
			240	240	112.5	40	113															