

# 4 WAY Sanitary Mounting Pad Full Port Ball Valve



**SANITARY DIRECT MOUNTING PAD**

**V4WAYMH-SAN SIZE: 1/2" ~ 4" NEW**



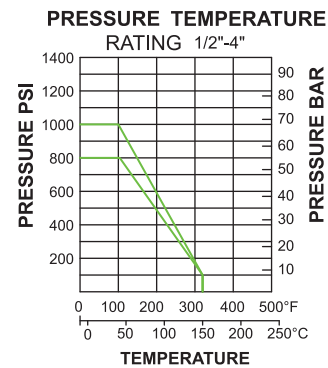
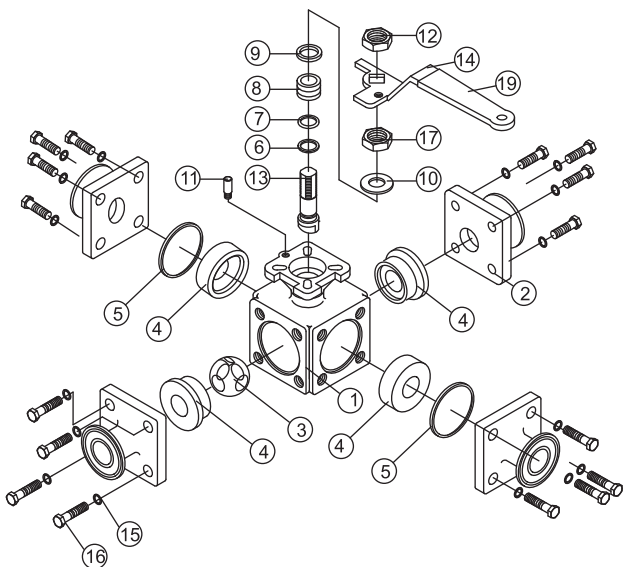
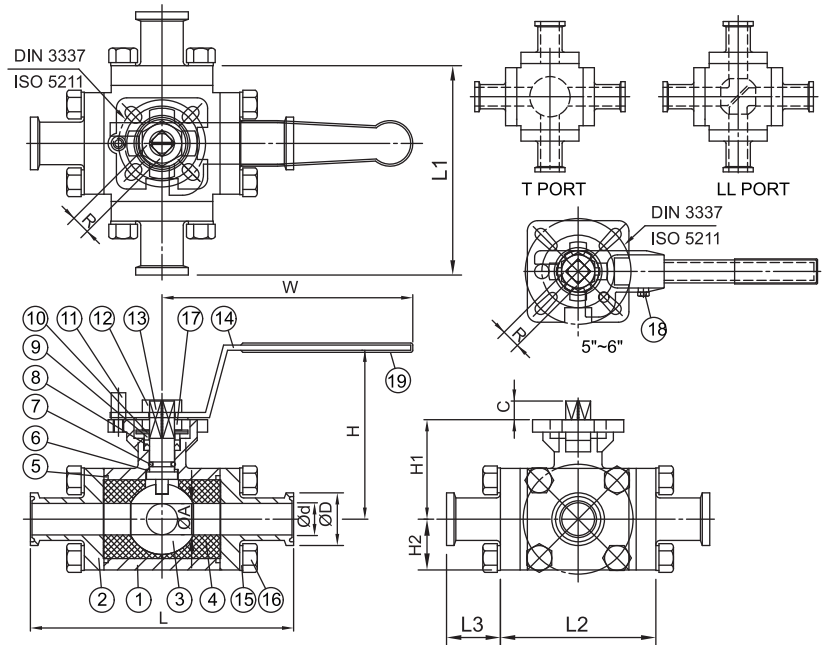
**STAINLESS STEEL**  
 AISI-316 (DIN 1.4408) (ASTM-A351-CF8M)  
 AISI-304 (DIN 1.4308) (ASTM-A351-CF3)

- FEATURES:**
- \*Clamp end: BS 4825-3, 3A standard
  - \*Butt weld end: 3A standard
  - \*Pressure rating: 1000 PSI (63 BAR)
  - \*Investment casting body and cap
  - \*Blow-out proof stem
  - \*ISO 5211 direct mounting pad
  - \*Lug body
  - \*T-port / 2L-port
  - \*Inside port: Ra ≤ 0.1a
  - \*Clamp end / Butt weld end

- OPTION:**
- \*Locking device
  - \*Anti-static device
  - \*Cavity ball seat / Regular ball seat

## MATERIALS LIST

ITEM	PARTS	QTY	MATERIALS	
			CF8M	CF3M
1	BODY	1	A351-CF8M	CF3M
2	CAP	4	A351-CF8M	CF3M
3	BALL	1	A351-CF8M	CF3M
4	SEAT	4	PTFE	TEM-1600
5	GASKET	2	PTFE	PTFE
6	THRUST WASHER	1	PTFE	PTFE
7	O-RING	1	VITON	VITON
8	STEM PACKING	2	PTFE	PTFE
9	RING	1	AISI 316	AISI 304
10	BEVEL WASHER	2	AISI 301	AISI 301
11	STOP PIN	1	AISI 316	AISI 316
12	NUT	2	AISI 304	AISI 304
13	STEM	1	AISI 316	AISI 316
14	HANDLE	1	AISI 304	AISI 304
15	SPRING WASHER	16	AISI 304	AISI 304
16	BOLT	16	AISI 304	AISI 304
17	PREVALING	1	PVEICE	AISI 304
18	NUT(5"-6")	1	AISI 304	AISI 304
19	PLASTIC COVER	1	P.V.C.	P.V.C.



## DIMENSIONS

UNIT:mm

SIZE	DN	ISO-5211	ØA	W	H	H1	C	L	Ød	ØD	L1	L2	L3	H2	R	TOQUE IN/LBS	
1/2"	15	F03/F04	9.5	121	78.0	44.5	9	118.0	9.5	25.4	91.0	67.6	23.4	23.5	9	M12*1.75	79
3/4"	20	F03/F04	15.8	121	82.0	48.0	9	127.0	15.8	25.4	98.5	73.0	25.5	26.0	9	M12*1.75	85
1"	25	F04/F05	22.2	137	90.0	59.0	11	152.6	22.2	50.4	117.4	84.5	32.9	30.5	11	M14*P2.0	110
1-1/2"	40	F05/F07	35.0	182	104.0	72.0	14	175.0	35.0	50.4	139.3	107.0	32.3	40.0	14	M18*P2.5	290
2"	50	F05/F07	47.6	182	114.5	82.0	14	201.4	47.6	63.9	166.3	131.5	34.8	50.0	14	M18*P2.5	680
2-1/2"	65	F07/F10	60.2	370	108.0	100.0	17	227.7	60.2	77.5	174.0	130.4	43.6	61	17	M22*P2.5	1085
3"	80	F10/F12	73.0	400	134.0	125.5	23	260.6	73.0	90.9	204.0	157.0	47.0	74	22	1-1/8"12UNF	1597
4"	100	F10/F12	97.4	400	143.3	135.5	23	290.5	97.4	118.9	257.5	193.0	64.5	84	22	1-1/8"12UNF	1780