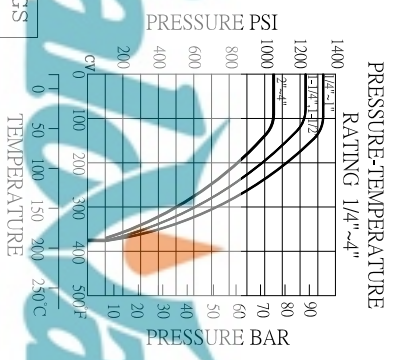
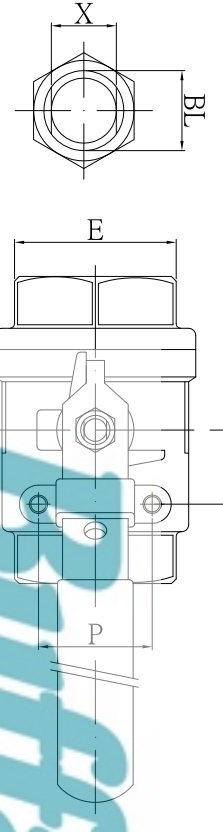
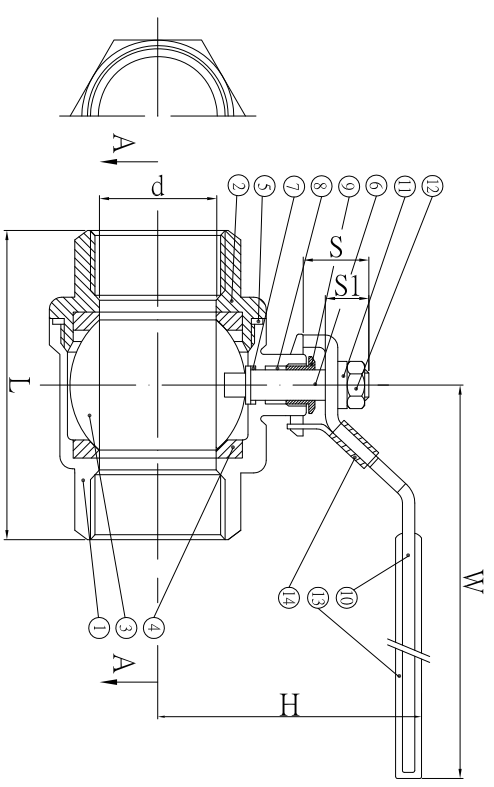


TEST PRESSURE kg/cm ²	AIR	REFERENCE STANDARD	ASME B16.34, EN 12516	DISTRIBUTION
WATER	SEAT	Basic Design	—	
BODY	6	End-to-End	ISO 228-1, ISO 7/1, EN10226-1	
		End Connections	BS 21, BS 2779, DIN 2999	
		Inspection & Test	ANSI B1.201	
		Anti-Blow-Out Stem	API 598, EN 12266-1	
		Address/anti Selection	ISO 17292	
			EN 1983, ISO 17292	



ITEM	PART	MATERIAL			QTY
		A2N-316	A2N-304	A2N-WCB	
1	BODY	ASTM-A351-CF8M	ASTM-A351-CF8	ASTM-A216-WCB	1
2	CAP	ASTM-A351-CF8M	ASTM-A351-CF8	ASTM-A216-WCB	1
3	BALL	ASTM-A351-CF8M	ASTM-A351-CF8	ASTM-A351-CF8	1
4	BALL SEAT	PTFE	PTFE	PTFE	2
5	JOINT GASKET	PTFE	PTFE	PTFE	1
6	STEM	AISI 316	AISI 304	AISI 304	1
7	THRUST WASHER	PTFE	PTFE	PTFE	1
8	STEM PACKING	PTFE	PTFE	PTFE	2
9	GLAND NUT	AISI 304	AISI 304	AISI 304	1
10	HANDLE	AISI 430	AISI 430	AISI 430	1
11	SPRING WASHER	AISI 304	AISI 304	AISI 304	1
12	STEM NUT	AISI 304	AISI 304	AISI 304	1
13	PLASTIC COVER	PLASTIC	PLASTIC	PLASTIC	1
14	LOCK DEVICE	AISI 430	AISI 430	AISI 430	1

SIZE	d	L	H	W	S	S1	X	N	P	BL	E	CV	TORQUE
												Factor	kgf-cm
1/4"	11.6	50	49	98	15.5	9.5	5.0	12.5	28.5	M8	17	6.6	40
3/8"	12.5	50	49	98	15.5	9.5	5.0	12.5	28.5	M8	21	7.9	40
1/2"	15	60	53	98	15.5	11	5.0	12.5	28.5	M8	25	11.2	50
3/4"	20	65	63	120	17.6	12	5.8	21	34.8	M8	31	21	80
1"	25	80	72	154	21	14.5	7.0	22.5	34.8	M10	38	35	100
1-1/4"	32	92	77.5	154	21	14.5	7.0	23.5	38.1	M10	47	57	140
1-1/2"	38	105	92	184	25.5	18.5	8.0	23.5	38.1	M12	53	80	250
2"	50	125	101	184	25.5	18.5	8.0	23.5	38.1	M12	65	150	350
2-1/2"	65	155.6	129	245	37	25.5	12	32	56	M16	83	265	400
3"	76	183	139	245	37	25.5	12	35	56	M16	98	415	600
4"	96	240	174	318	43.5	30	14	50	63	M24	127	780	900

B	2016.01.01	B	版次	日期	修改內容及位置說明	設變單號	修改人員
							邱信榮

費冠閥業	TRADE	AGENCY	CUS_NO	ITEM	NO	PART	QTY	EDITON	DATE
				A2N	1	總圖(CATALOG)	1	B	2016.01.01

加工容許公差(mm)	鑄造容許公差(mm)	加工符號	表面粗度劃分	MATERIAL	WEIGHT(kgs)	UNIT	SCALE	MANAGER	ENGINEER	QC	DRAWER		
>0.5-6	±0.1	0~10	±0.2	75~100	±0.8	▽▽▽▽	Rmax	R2	Ra	316/304/WCB	MM	FRFE	一般
>6-30	±0.2	10~25	±0.25	>100	±1%	▽▽▽	6.3s	6.3z	1.6a	V/R216			
>30-120	±0.3	25~50	±0.4	角度	±1°	▽▽	25s	25z	6.3a	V/R24			
>120-400	±0.5	50~75	±0.6			▽	100s	100z	25a	V/R21			

圖面已發行